

ALFA 33

01/1983 - 09/1994



1 35089

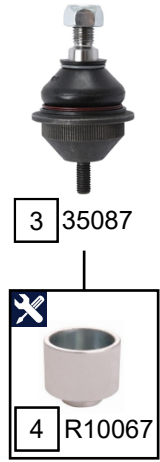
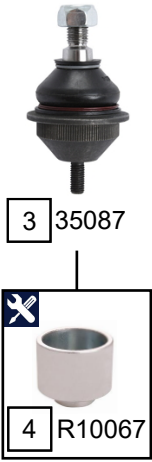
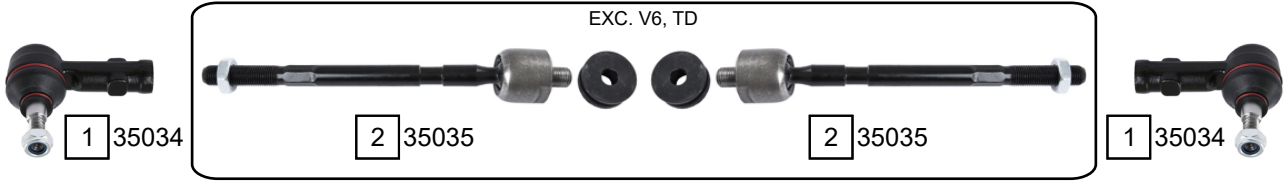


1 35089

Ref.	Sidem Ref.	Description	OE-number	Measures	Ref.	Sidem Ref.	Description	OE-number	Measures
1	35089	ball joint upper	605 37 249	c:14.3					

ALFA 75 (162B)

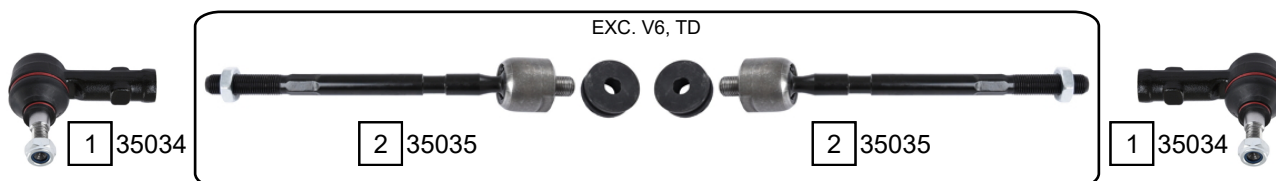
05/1985 - 12/1992



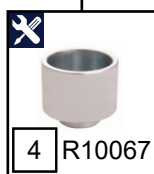
Ref.	Sidem Ref.	Description	OE-number	Measures	Ref.	Sidem Ref.	Description	OE-number	Measures
1	35034	tie rod end	605 21 320	c:12.8 th:FM14x1.5R	3	35087	ball joint lower	605 21 236	c:16 do:44.5
2	35035	axial joint	607 24 204	th:MM14x1.5R L:225	4	R10067	mounting tool ring ø56 ø48	SEE PAGE III	di:48 do:56

ALFA 90 (162)

10/1984 - 07/1987



3 35087



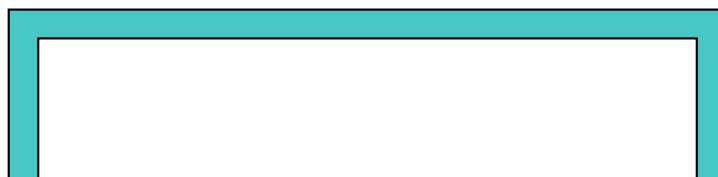
4 R10067



3 35087



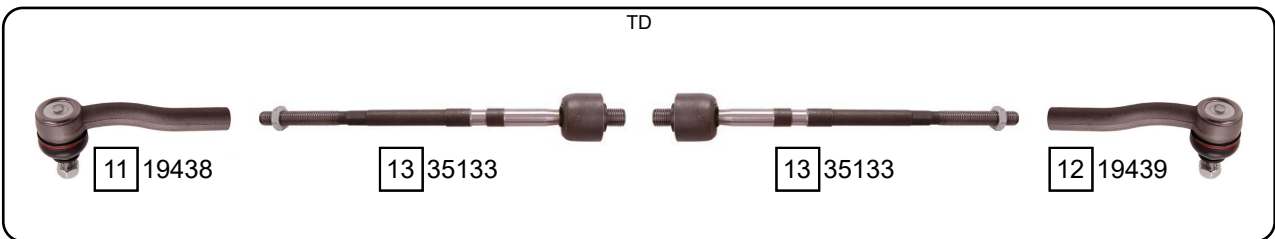
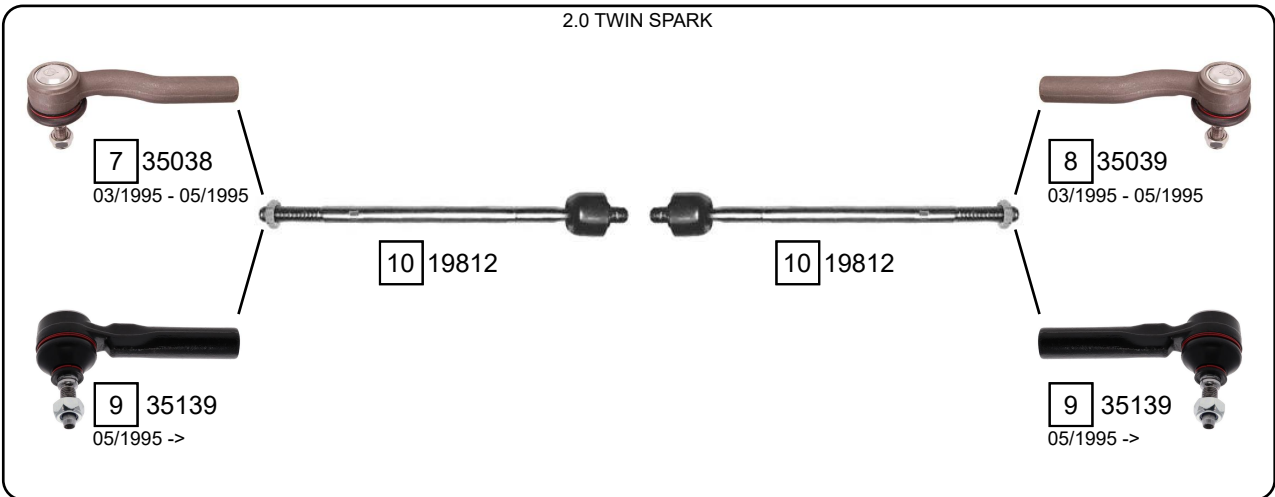
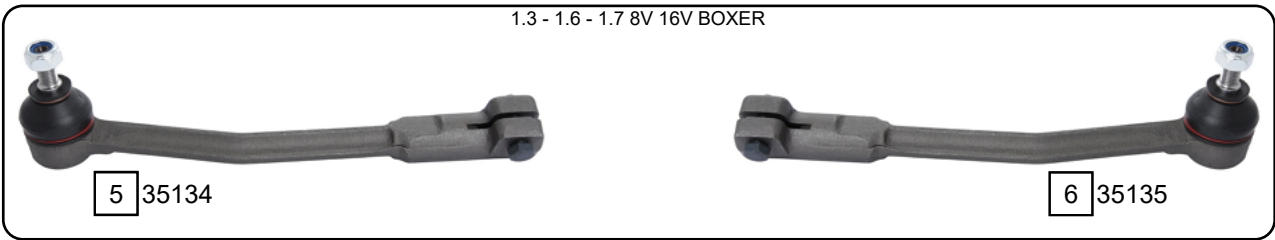
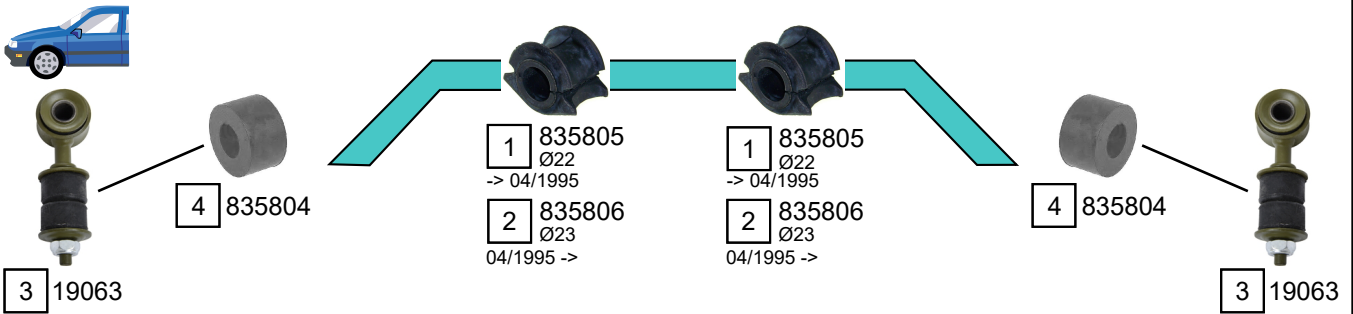
4 R10067



Ref.	Sidem Ref.	Description	OE-number	Measures	Ref.	Sidem Ref.	Description	OE-number	Measures
1	35034	tie rod end	605 21 320	c:12.8 th:FM14x1.5R	3	35087	ball joint lower	605 21 236	c:16 do:44.5
2	35035	axial joint	607 24 204	th:MM14x1.5R L:225	4	R10067	mounting tool ring ø56 ø48	SEE PAGE III	di:48 do:56

ALFA 145 (130)
ALFA 146 (134)

07/1994 - 01/1996

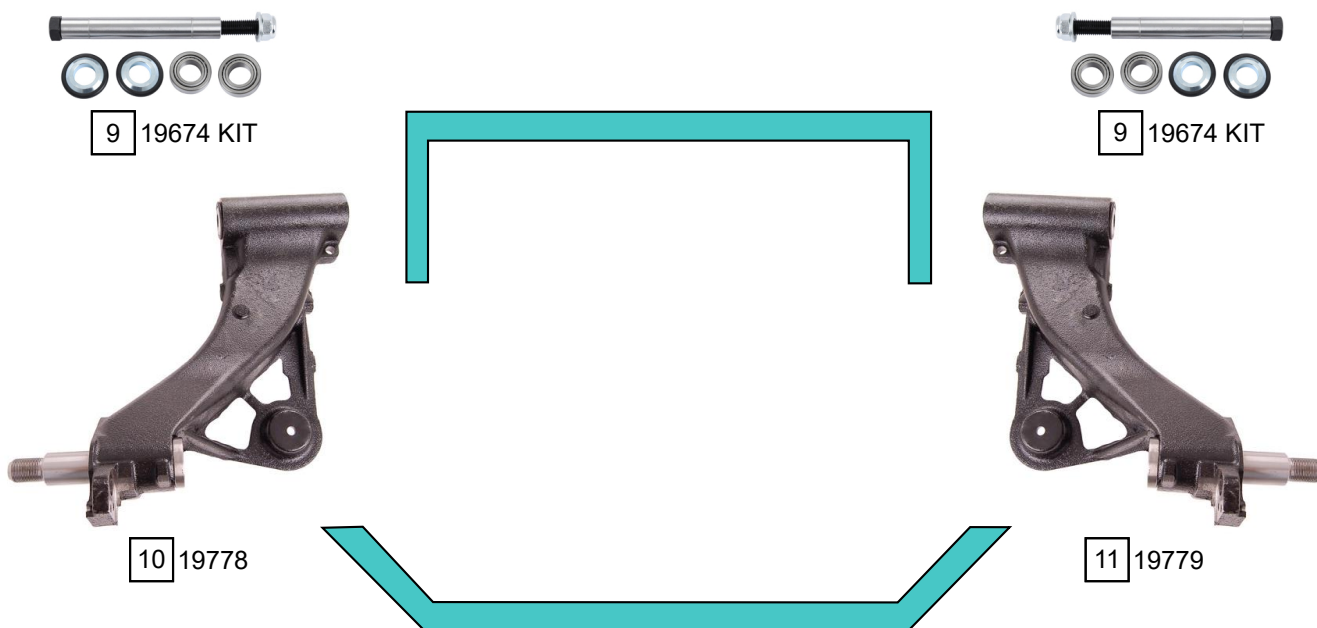
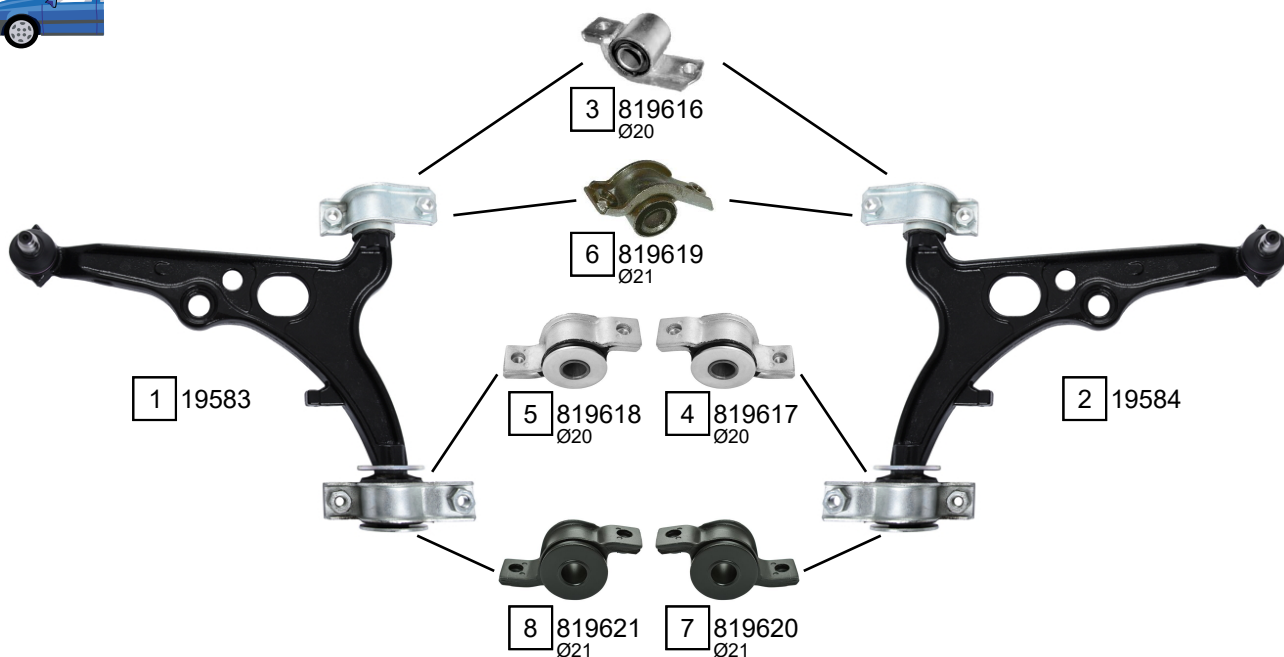


Ref.	Sidem Ref.	Description	OE-number	Measures	Ref.	Sidem Ref.	Description	OE-number	Measures
1	835805	stabiliser mounting	776 04 25	di:21	8	35039	tie rod end right	994 77 64	c:12 th:FM14X1.5R
2	835806	stabiliser mounting	776 04 24	di:22	9	35139	tie rod end	994 77 20	c:12.5 th:FM14x1.5R
3	19063	stabiliser link	605 70 627	L:90	10	19812	axial joint	994 77 18	th:MM14x1.5R L:292
4	835804	stabiliser mounting	760 16 42	di:10.3	11	19438	tie rod end left	608 09 495	c:11.8 th:FM12X1.5R
5	35134	tie rod end left	606 08 979	c:12.6 th:FM18X1.5R	12	19439	tie rod end right	608 09 494	c:11.8 th:FM12X1.5R
6	35135	tie rod end right	606 08 980	c:12.6 th:FM18x1.5L	13	35133	axial joint	994 44 52	th:MM14X1.5R L:285
7	35038	tie rod end left	994 77 65	c:12 th:FM14X1.5R					

ALFA 145 (130)

ALFA 146 (134)

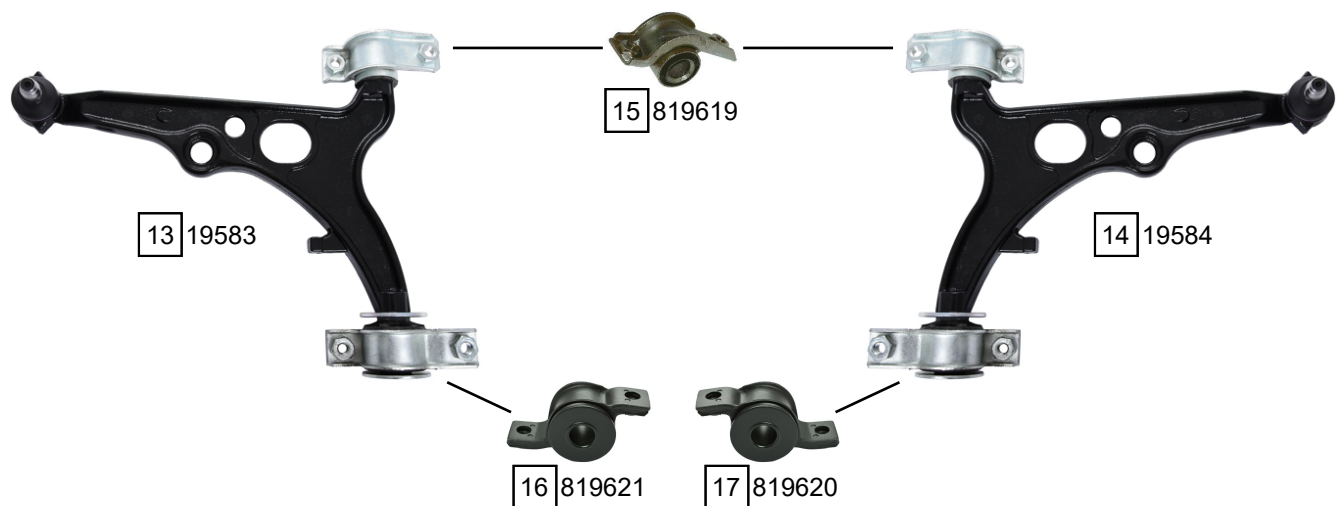
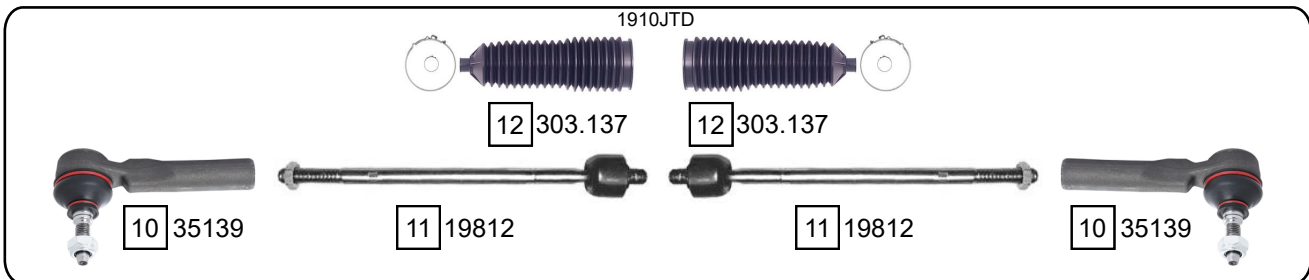
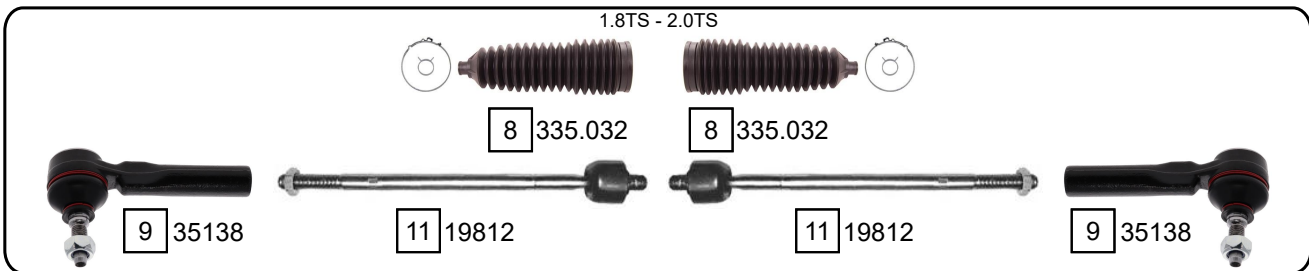
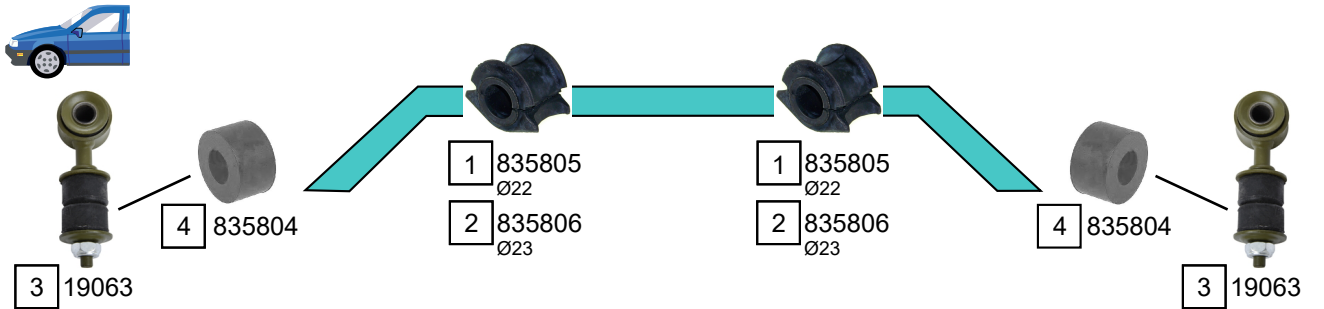
07/1994 - 01/1996



Ref.	Sidem Ref.	Description	OE-number	Measures	Ref.	Sidem Ref.	Description	OE-number	Measures
1	19583	TCA left wbj	464 74 556	c:17	7	819620	silentblock for TCA	Part of	di:20.7 do:20.7 (*)
2	19584	TCA right wbj	464 74 557	c:17	8	819621	silentblock for TCA	Part of	di:20.7 do:20.7 (*)
3	819616	silentblock for TCA	Part of	di:19.7 do:19.7 (*)	9	19674 KIT	repair kit for TCA	Part of	
4	819617	silentblock for TCA	Part of	di:19.7 do:19.7 (*)	10	19778	TCA left	464 59 723	c:30
5	819618	silentblock for TCA	Part of	di:19.7 do:19.7 (*)	11	19779	TCA right	464 59 724	c:30
6	819619	silentblock for TCA	Part of	di:20.7 do:20.7 (*)					

ALFA 145 (130)
ALFA 146 (134)

01/1997 - 01/2001



Ref.	Sidem Ref.	Description	OE-number	Measures	Ref.	Sidem Ref.	Description	OE-number	Measures
1	835805	stabiliser mounting	776 04 25	di:21	10	35139	tie rod end	994 77 20	c:12.5 th:FM14x1.5R
2	835806	stabiliser mounting	776 04 24	di:22	11	19812	axial joint	994 77 18	th:MM14x1.5R L:292
3	19063	stabiliser link	605 70 627	L:90	12	303.137	steering rack gaiter	994 92 16	D:55 d:12.5 L:205
4	835804	stabiliser mounting	760 16 42	di:10.3	13	19583	TCA left wbj	464 74 556	c:17
5	19438	tie rod end left	608 09 495	c:11.8 th:FM12X1.5R	14	19584	TCA right wbj	464 74 557	c:17
6	19439	tie rod end right	608 09 494	c:11.8 th:FM12X1.5R	15	819619	silentblock for TCA	Part of	di:20.7 do:20.7 (*)
7	35133	axial joint	994 44 52	th:MM14X1.5R L:285	16	819621	silentblock for TCA	Part of	di:20.7 do:20.7 (*)
8	335.032	steering rack gaiter	994 77 21	D:59 d:12 L:195	17	819620	silentblock for TCA	Part of	di:20.7 do:20.7 (*)
9	35138	tie rod end	994 77 19	c:12 th:FM14X1.5R					

ALFA 145 (130)

01/1997 - 01/2001

ALFA 146 (134)



ALL



1 19674 KIT



1 19674 KIT

-> 1999



2 19778

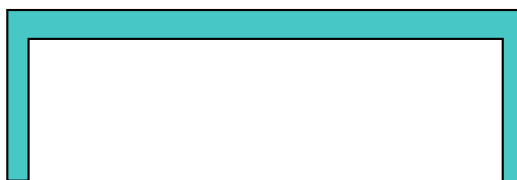


3 19779

1999 ->



4 19978

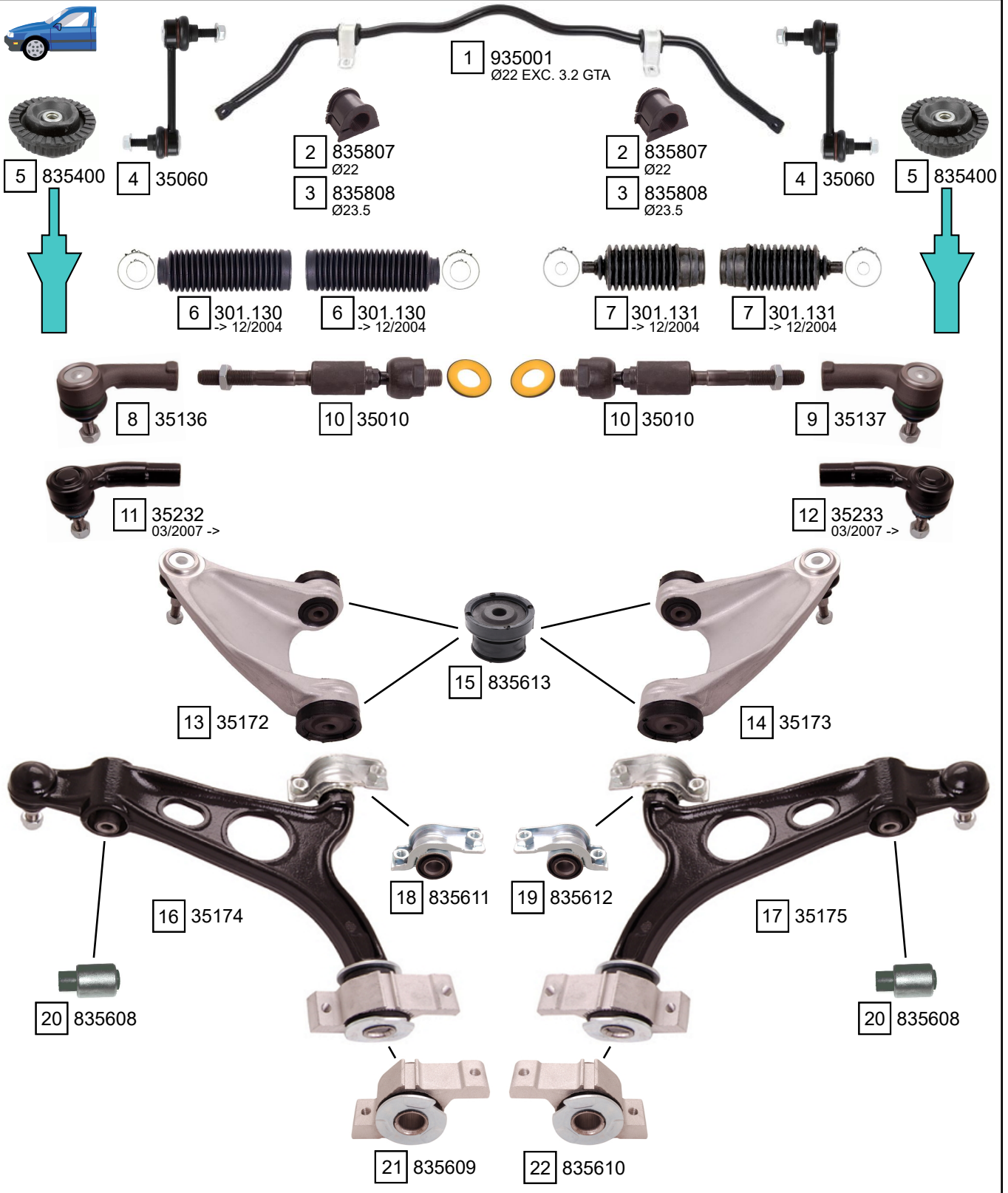


5 19979

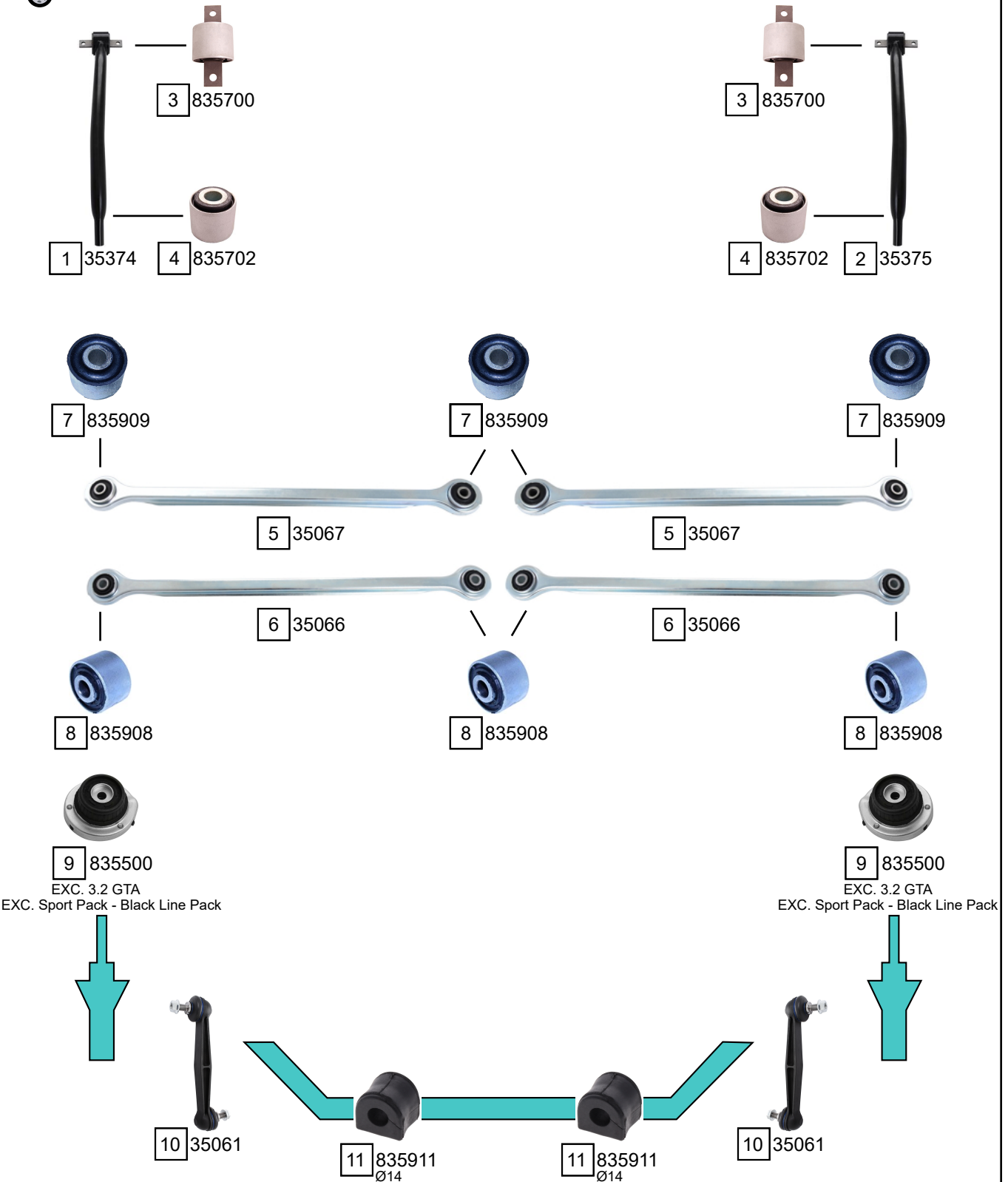
Ref.	Sidem Ref.	Description	OE-number	Measures	Ref.	Sidem Ref.	Description	OE-number	Measures
1	19674 KIT	repair kit for TCA	Part of		4	19978	TCA left	465 19 894	c:30
2	19778	TCA left	464 59 723	c:30	5	19979	TCA right	465 19 898	c:30
3	19779	TCA right	464 59 724	c:30					

ALFA 147 (937)

01/2001 - 03/2010



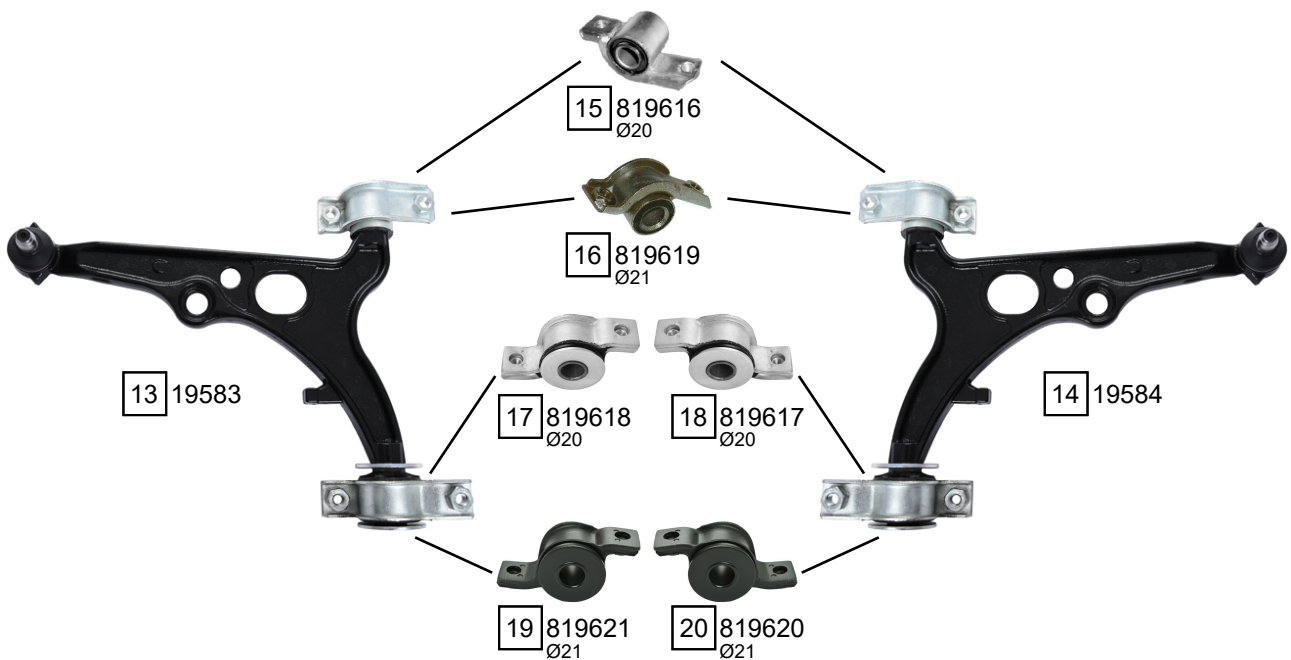
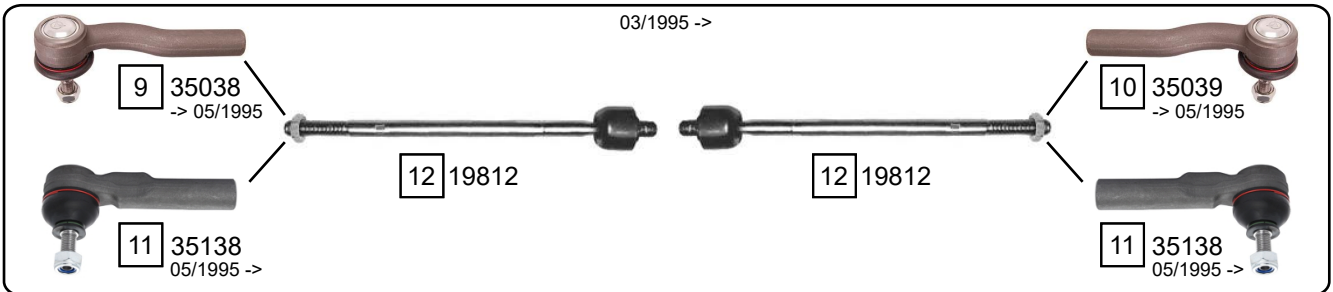
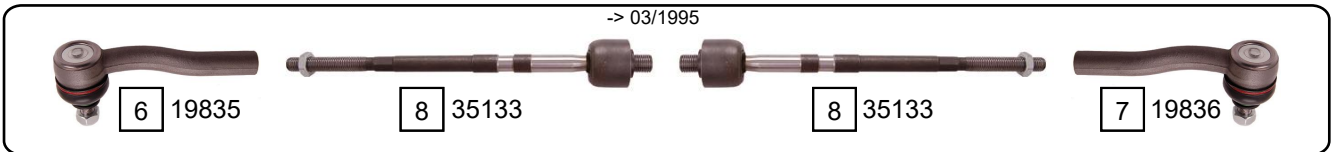
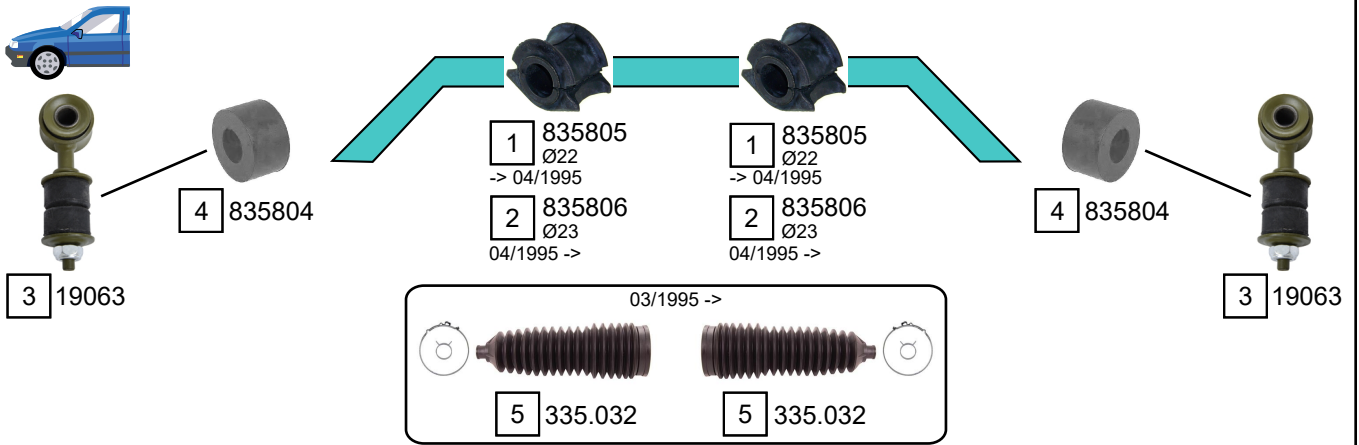
Ref.	Sidem Ref.	description	OE-number	measures	Ref.	Sidem Ref.	description	OE-number	measures
1	935001	stabilizer bar	517 54 198	do:22 L:1021	12	35233	tie rod end right	773 64 522	c:12.5 th:FM14X1.5R
2	835807	stabiliser mounting	Part of	di:22	13	35172	TCA left wbj	518 34 093	c:12.8
3	835808	stabiliser mounting	Part of	di:23	14	35173	TCA right wbj	518 34 094	c:12.8
4	35060	stabiliser link	468 43 389	L:124	15	835613	silentblock for TCA	Part of	di:10.2 do:40 (*)
5	835400	strut mount	606 25 002	di:10.2 do:72 L:42	16	35174	TCA left wbj	606 86 891	c:17.7
6	301.130	steering rack gaiter	994 79 21	D:58 d:34 L:213	17	35175	TCA right wbj	606 86 892	c:17.7
7	301.131	steering rack gaiter	773 62 287	D:62 d:12 L:172	18	835611	silentblock for TCA	Part of	di:18.7 do:18.7 (*)
8	35136	tie rod end left	994 79 19	c:12.6 th:FM14x1.5R	19	835612	silentblock for TCA	Part of	di:18.7 do:18.7 (*)
9	35137	tie rod end right	994 79 20	c:12.6 th:FM14x1.5R	20	835608	silentblock for TCA	Part of	di:12.3 do:42.0 (*)
10	35010	axial joint	994 79 23	th:MM16X1.5R L:204	21	835609	silentblock for TCA	Part of	di:19.8 do:19.8 (*)
11	35232	tie rod end left	773 64 521	c:12.5 th:FM14X1.5R	22	835610	silentblock for TCA right	Part of	di:19.8 do:19.8 (*)



Ref.	Sidem Ref.	Description	OE-number	Measures	Ref.	Sidem Ref.	Description	OE-number	Measures
1	35374	track rod	517 77 717	L:505	7	835909	silentblock for TCA	Part of	di:12.2 do:40.2 (*)
2	35375	track rod	517 77 718	L:505	8	835908	silentblock for TCA	Part of	di:12 do:38.2 (*)
3	835700	silentblock for TCA	Part of	do:58.4 (*)	9	835500	strut mount	467 91 956	di:14.3 do:72
4	835702	silentblock for TCA	606 82 636	di:11.9 do:32.2 (*)	10	35061	stabiliser link rear axle	606 13 575	L:180
5	35067	track rod	606 29 903	L:560	11	835911	stabiliser mounting	Part of	di:13.5
6	35066	track rod	517 49 713	L:593					

ALFA 155 (167)

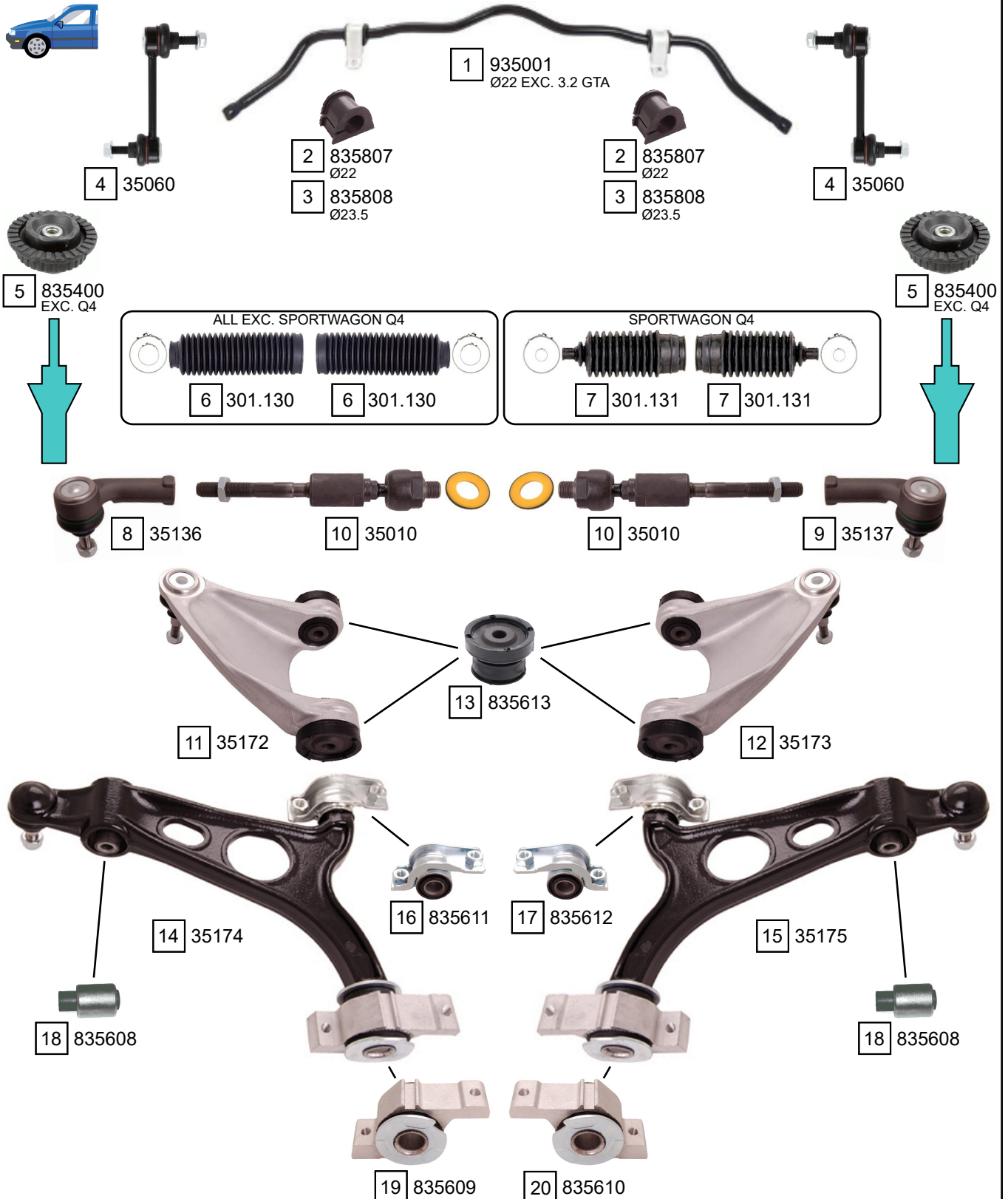
01/1992 - 12/1997



Ref.	Sidem Ref.	Description	OE-number	Measures	Ref.	Sidem Ref.	Description	OE-number	Measures
1	835805	stabiliser mounting	776 04 25	di:21	11	35138	tie rod end	994 77 19	c:12 th:FM14X1.5R
2	835806	stabiliser mounting	776 04 24	di:22	12	19812	axial joint	994 77 18	th:MM14x1.5R L:292
3	19063	stabiliser link	605 70 627	L:90	13	19583	TCA left wbj	464 74 556	c:17
4	835804	stabiliser mounting	760 16 42	di:10.3	14	19584	TCA right wbj	464 74 557	c:17
5	335.032	steering rack gaiter	994 77 21	D:59 d:12 L:195	15	819616	silentblock for TCA	Part of	di:19.7 do:19.7 (*)
6	19835	tie rod end left	994 74 37	c:12 th:FM12X1.5R	16	819619	silentblock for TCA	Part of	di:20.7 do:20.7 (*)
7	19836	tie rod end right	994 74 38	c:12 th:FM12X1.5R	17	819618	silentblock for TCA	Part of	di:19.7 do:19.7 (*)
8	35133	axial joint	994 44 52	th:MM14X1.5R L:285	18	819617	silentblock for TCA	Part of	di:19.7 do:19.7 (*)
9	35038	tie rod end left	994 77 65	c:12 th:FM14X1.5R	19	819621	silentblock for TCA	Part of	di:20.7 do:20.7 (*)
10	35039	tie rod end right	994 77 64	c:12 th:FM14X1.5R	20	819620	silentblock for TCA	Part of	di:20.7 do:20.7 (*)

ALFA 156 (932)

09/1997 - 05/2006



Ref.	Sidem Ref.	Description	OE-number	Measures	Ref.	Sidem Ref.	Description	OE-number	Measures
1	935001	stabilizer bar	517 54 198	do:22 L:1021	11	35172	TCA left wbj	518 34 093	c:12.8
2	835807	stabiliser mounting	Part of	di:22	12	35173	TCA right wbj	518 34 094	c:12.8
3	835808	stabiliser mounting	Part of	di:23	13	835613	silentblock for TCA	Part of	di:10.2 do:40 (*)
4	35060	stabiliser link	468 43 389	L:124	14	35174	TCA left wbj	606 86 891	c:17.7
5	835400	strut mount	606 25 002	di:10.2 do:72 L:42	15	35175	TCA right wbj	606 86 892	c:17.7
6	301.130	steering rack gaiter	994 79 21	D:58 d:34 L:213	16	835611	silentblock for TCA	Part of	di:18.7 do:18.7 (*)
7	301.131	steering rack gaiter	773 62 287	D:62 d:12 L:172	17	835612	silentblock for TCA	Part of	di:18.7 do:18.7 (*)
8	35136	tie rod end left	994 79 19	c:12.6 th:FM14x1.5R	18	835608	silentblock for TCA	Part of	di:12.3 do:42.0 (*)
9	35137	tie rod end right	994 79 20	c:12.6 th:FM14x1.5R	19	835609	silentblock for TCA	Part of	di:19.8 do:19.8 (*)
10	35010	axial joint	994 79 23	th:MM16X1.5R L:204	20	835610	silentblock for TCA right	Part of	di:19.8 do:19.8 (*)

ALFA 156 (932)

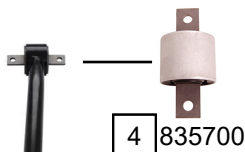
09/1997 - 05/2006



1 835501
CHAS 0116246 ->

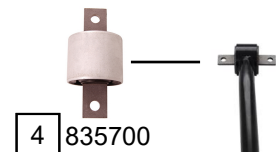


1 835501
CHAS 0116246 ->



4 835700

2 35374 5 835702



4 835700

5 835702 3 35375



8 835909



8 835909



8 835909



6 35067

6 35067



7 35066

7 35066



9 835908



9 835908



9 835908



10 35061



11 835911
Ø14

11 835911
Ø14

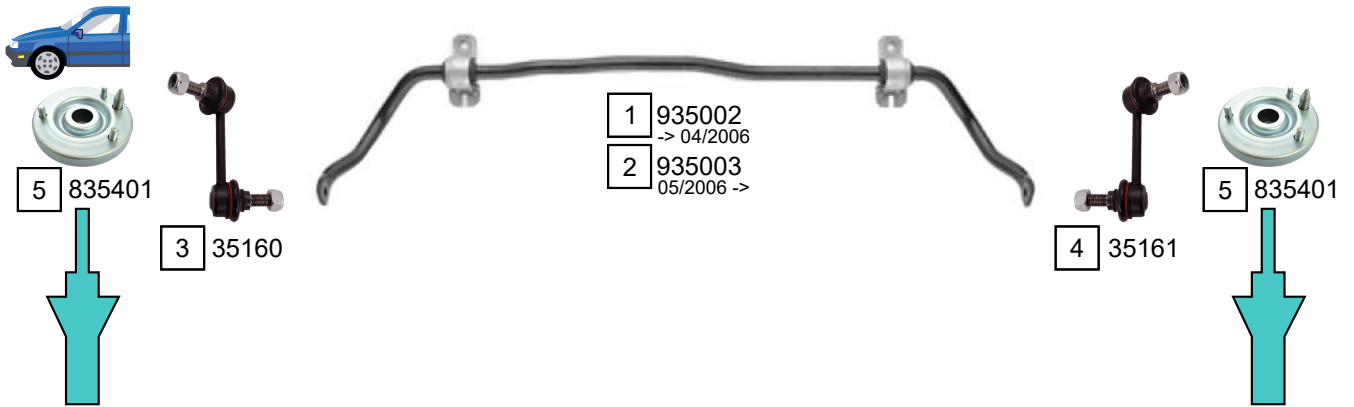


10 35061

Ref.	Sidem Ref.	Description	OE-number	Measures	Ref.	Sidem Ref.	Description	OE-number	Measures
1	835501	strut mount	606 63 773	di:14.3 do:128 L:73.5	7	35066	track rod	517 49 713	L:593
2	35374	track rod	517 77 717	L:505	8	835909	silentblock for TCA	Part of	di:12.2 do:40.2 (*)
3	35375	track rod	517 77 718	L:505	9	835908	silentblock for TCA	Part of	di:12 do:38.2 (*)
4	835700	silentblock for TCA	Part of	do:58.4 (*)	10	35061	stabiliser link rear axle	606 13 575	L:180
5	835702	silentblock for TCA	606 82 636	di:11.9 do:32.2 (*)	11	835911	stabiliser mounting	Part of	di:13.5
6	35067	track rod	606 29 903	L:560					

ALFA 159 (939)

09/2005 - 11/2011



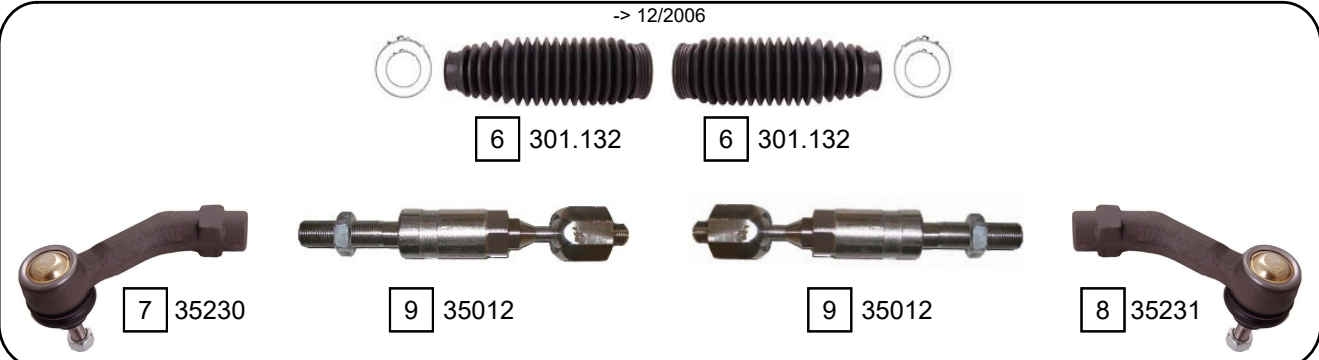
1 935002
-> 04/2006
2 935003
05/2006 ->

5 835401

3 35160

4 35161

5 835401



6 301.132

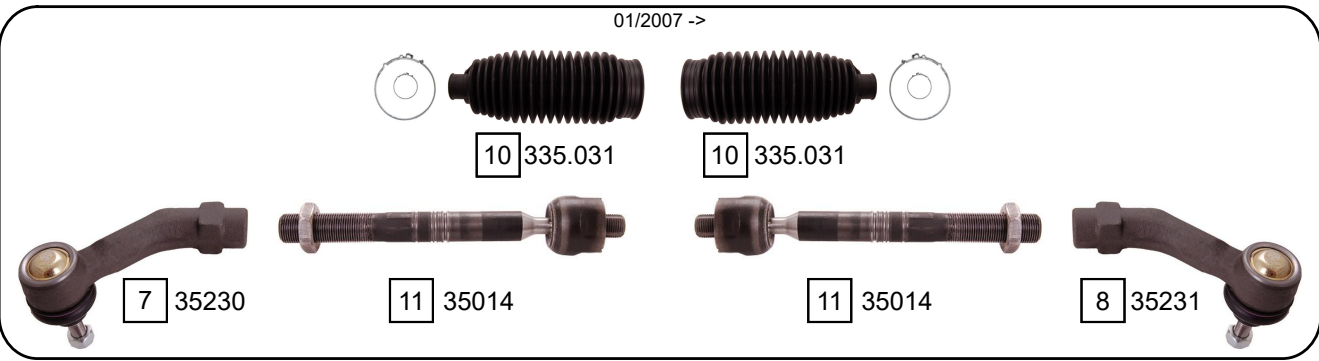
6 301.132

7 35230

9 35012

9 35012

8 35231



10 335.031

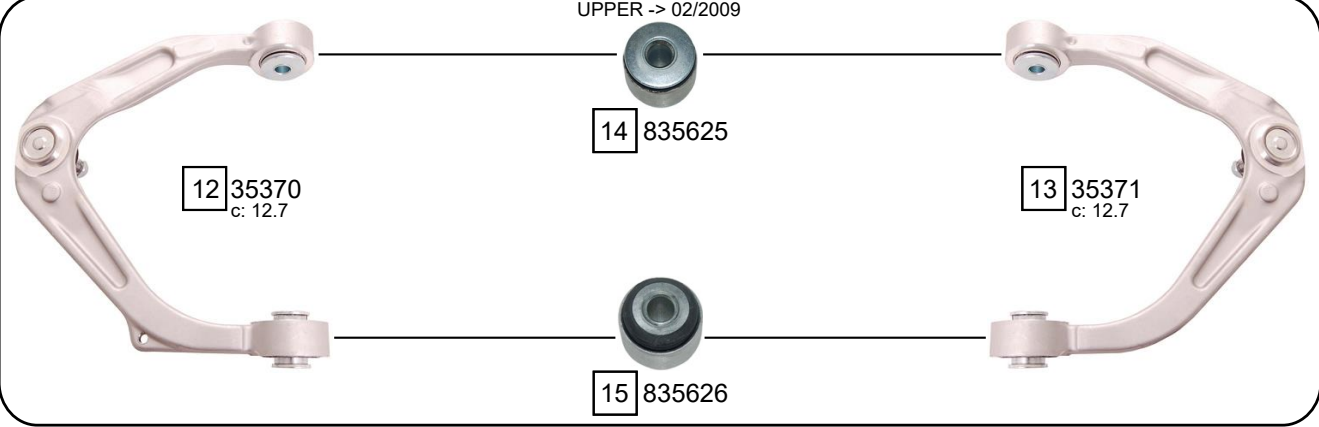
10 335.031

7 35230

11 35014

11 35014

8 35231



12 35370
c: 12.7

14 835625

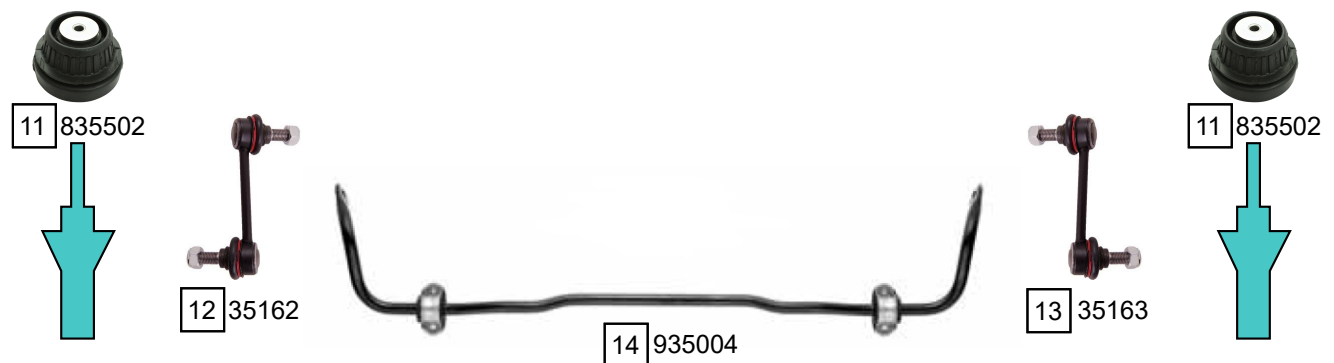
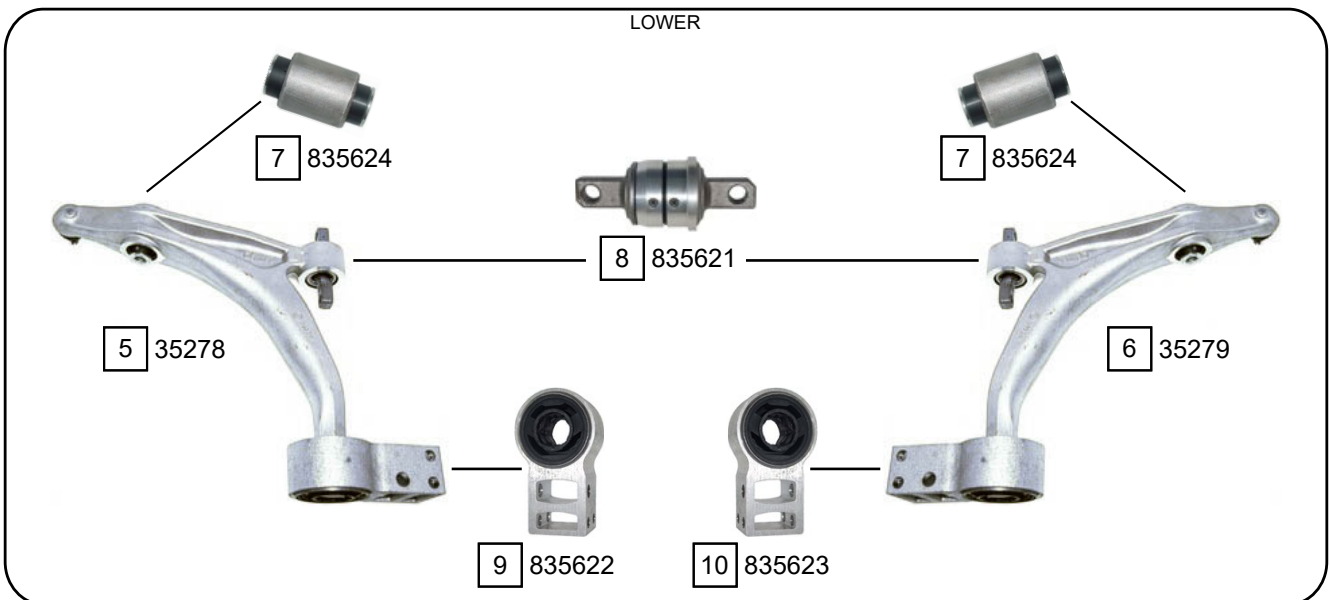
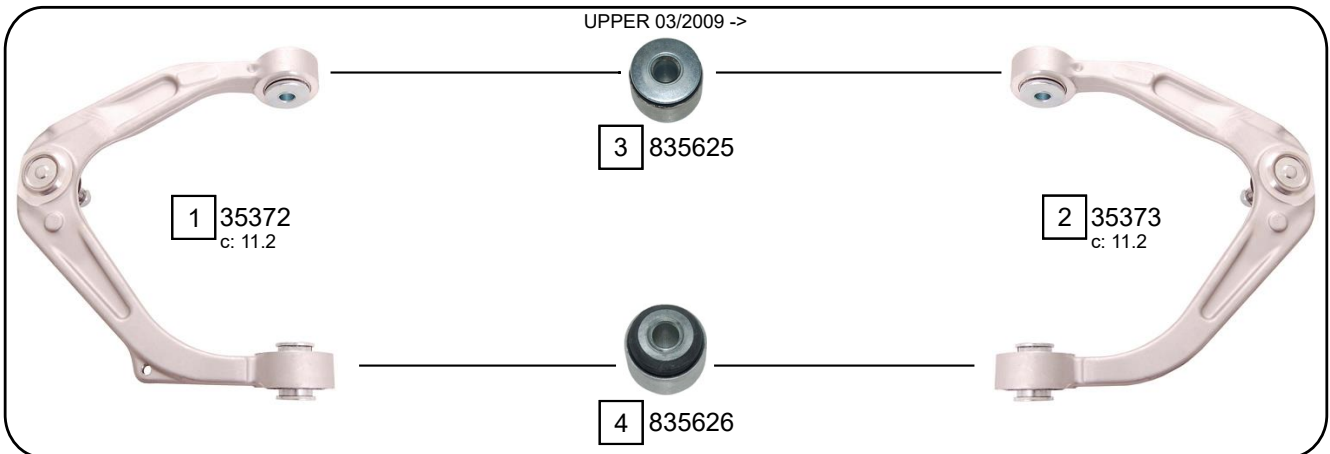
13 35371
c: 12.7

15 835626

Ref.	Sidem Ref.	Description	OE-number	Measures	Ref.	Sidem Ref.	Description	OE-number	Measures
1	935002	stabilizer bar	507 06 987	do:22 L:1013	9	35012	axial joint	Part of	th:MM16X1.5R L:214
2	935003	stabilizer bar	505 10 813	do:22 L:1013	10	335.031	steering rack gaiter	773 64 750	D:51 d:19.5 L:175
3	35160	stabiliser link left	517 95 454	L:102	11	35014	axial joint	Part of	th:MM16X1.5R L:214
4	35161	stabiliser link right	517 95 455	L:102	12	35370	TCA left wbj	517 87 337	c:12.7
5	835401	strut mount	505 15 176	di:10.1 do:141.5 L:56.5	13	35371	TCA right wbj	517 87 336	c:12.7
6	301.132	steering rack gaiter	773 63 705	D:51 d:34 L:198	14	835625	silentblock for TCA	Part of	di:13.2 do:41.2 (*)
7	35230	tie rod end left	773 63 706	c:14.6 th:FM20X1.5R	15	835626	silentblock for TCA	Part of	di:13.2 do:43.2 (*)
8	35231	tie rod end right	773 63 707	c:14.6 th:FM20X1.5R					

ALFA 159 (939)

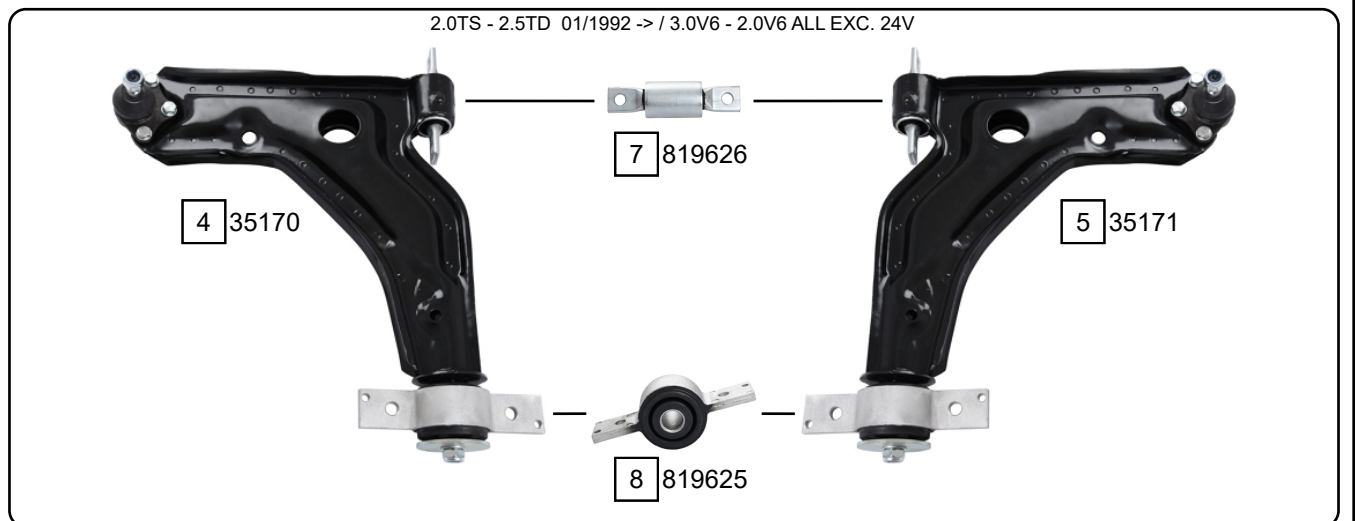
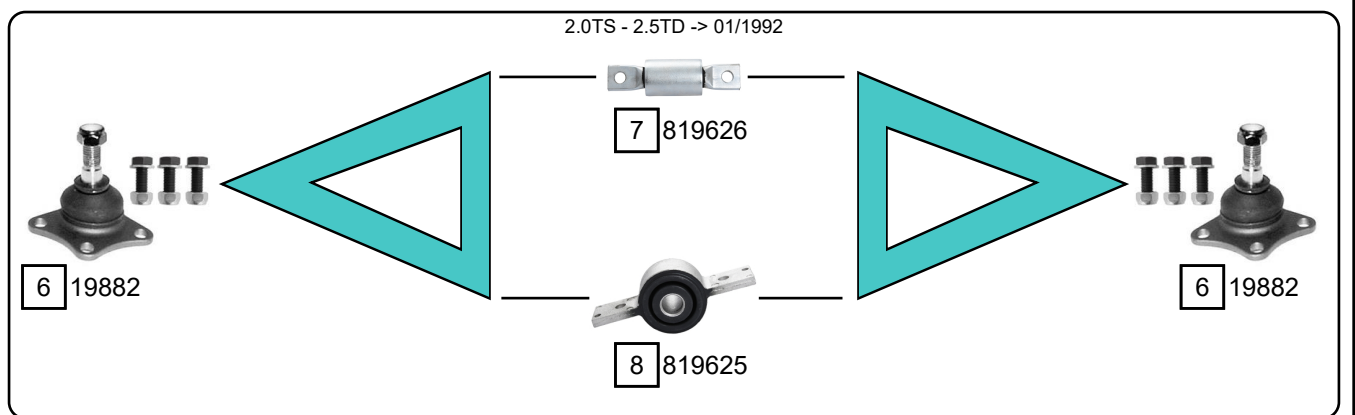
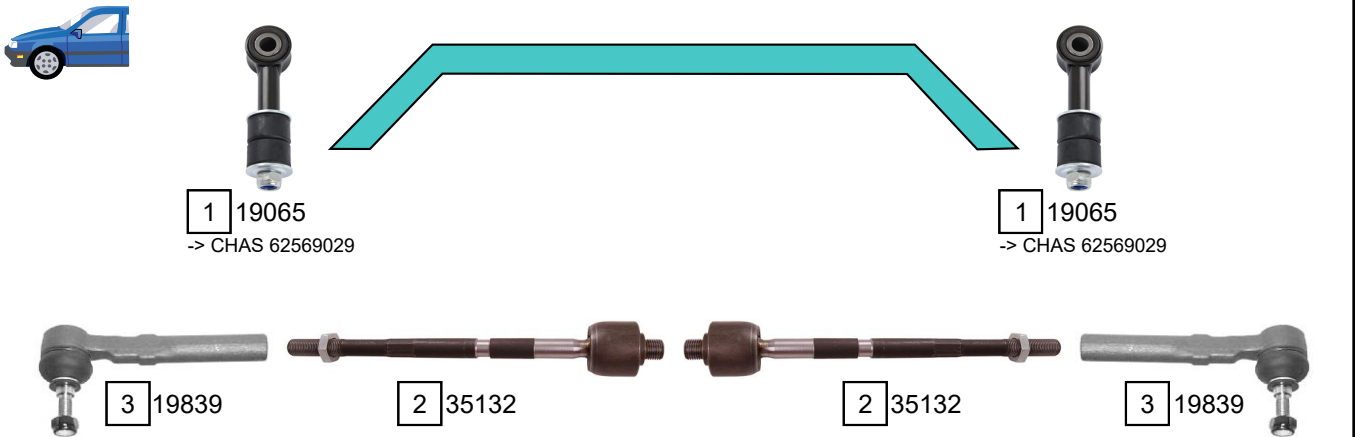
09/2005 - 11/2011



Ref.	Sidem Ref.	Description	OE-number	Measures	Ref.	Sidem Ref.	Description	OE-number	Measures
1	35372	TCA left wbj	518 28 661	c:11.2	8	835621	silentblock for TCA	Part of	do:48 (*)
2	35373	TCA right wbj	518 28 660	c:11.2	9	835622	silentblock for TCA	507 08 721	di:32 (*)
3	835625	silentblock for TCA	Part of	di:13.2 do:41.2 (*)	10	835623	silentblock for TCA	507 08 722	di:32 (*)
4	835626	silentblock for TCA	Part of	di:13.2 do:43.2 (*)	11	835502	strut mount	505 15 203	di:10.3 L:63
5	35278	TCA left wbj	517 95 447	c:19.7	12	35162	stabiliser link left	517 95 705	L:116
6	35279	TCA right wbj	517 95 446	c:19.7	13	35163	stabiliser link right	517 95 704	L:116
7	835624	silentblock for TCA	Part of	di:14.2 do:42.1 (*)	14	935004	stabilizer bar	517 95 519	do:21

ALFA 164 (164)
ALFA 164 (168)

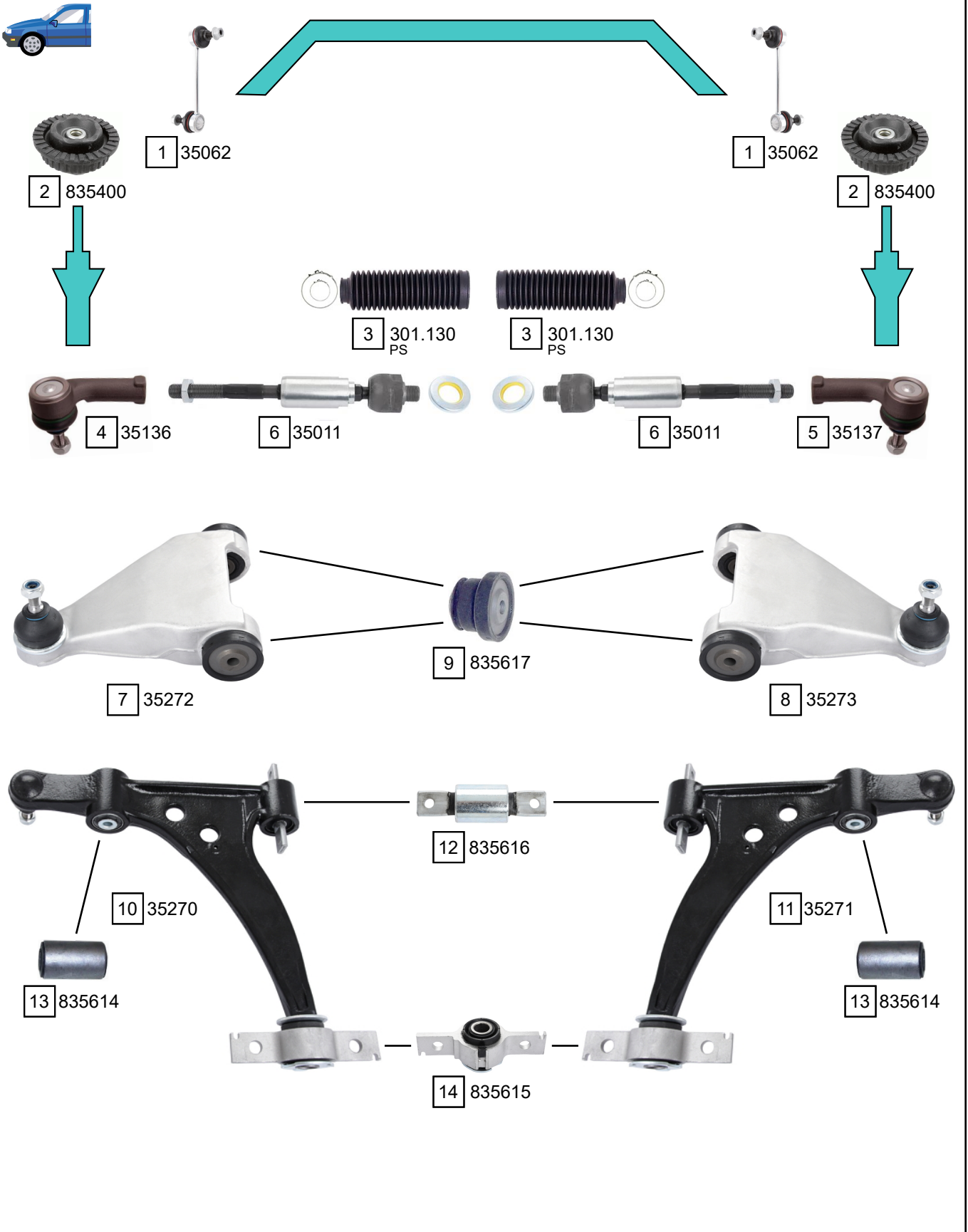
01/1987 - 01/1992
01/1992 - 08/1998



Ref.	Sidem Ref.	Description	OE-number	Measures	Ref.	Sidem Ref.	Description	OE-number	Measures
1	19065	stabiliser link	605 61 654	L:106	5	35171	TCA right wbj	605 88 846	c:15
2	35132	axial joint	994 55 65	th:MM14x1.5R L:268	6	19882	ball joint lower	605 66 661	c:13
3	19839	tie rod end	605 11 622	c:12.6 th:FM14x1.5R	7	819626	silentblock for TCA	Part of	di:10.5 do:35 (*)
4	35170	TCA left wbj	605 88 845	c:15	8	819625	silentblock for TCA	824 80 037	di:19.1 do:65 (*)

ALFA 166 (936)

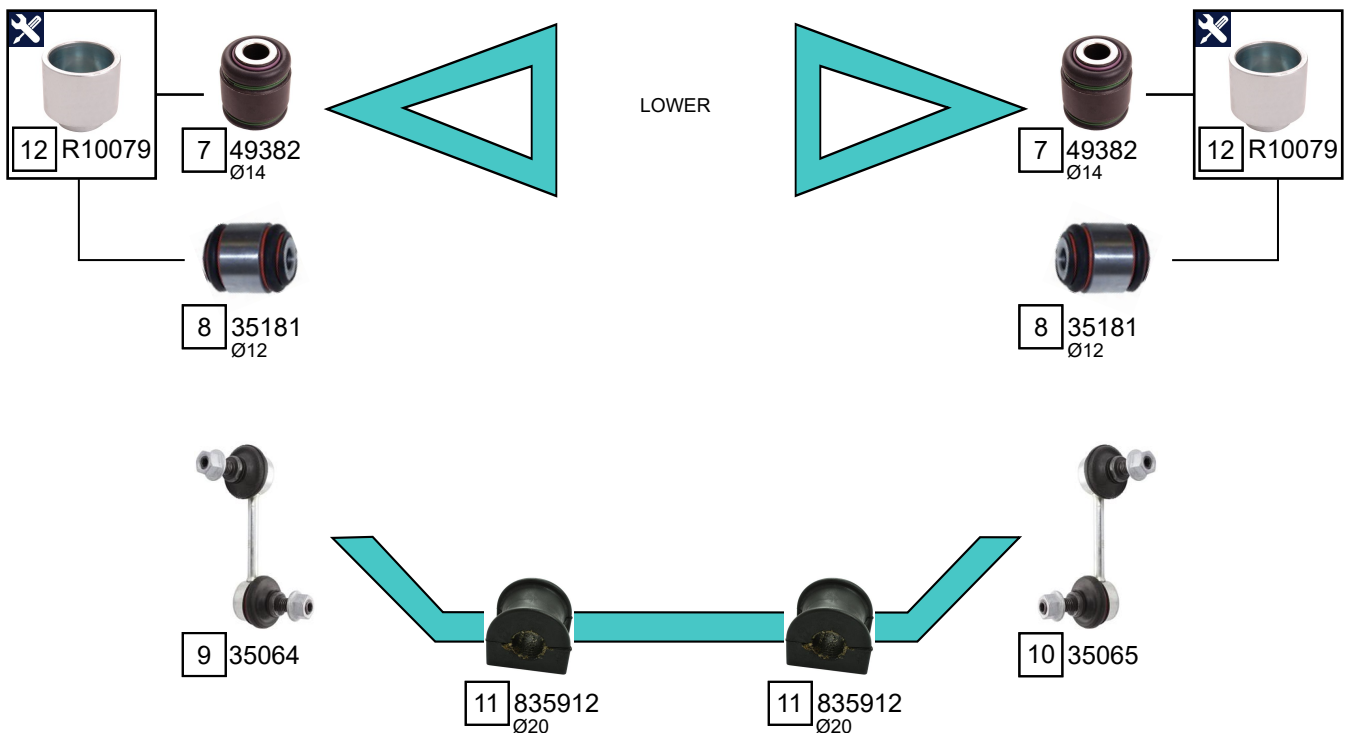
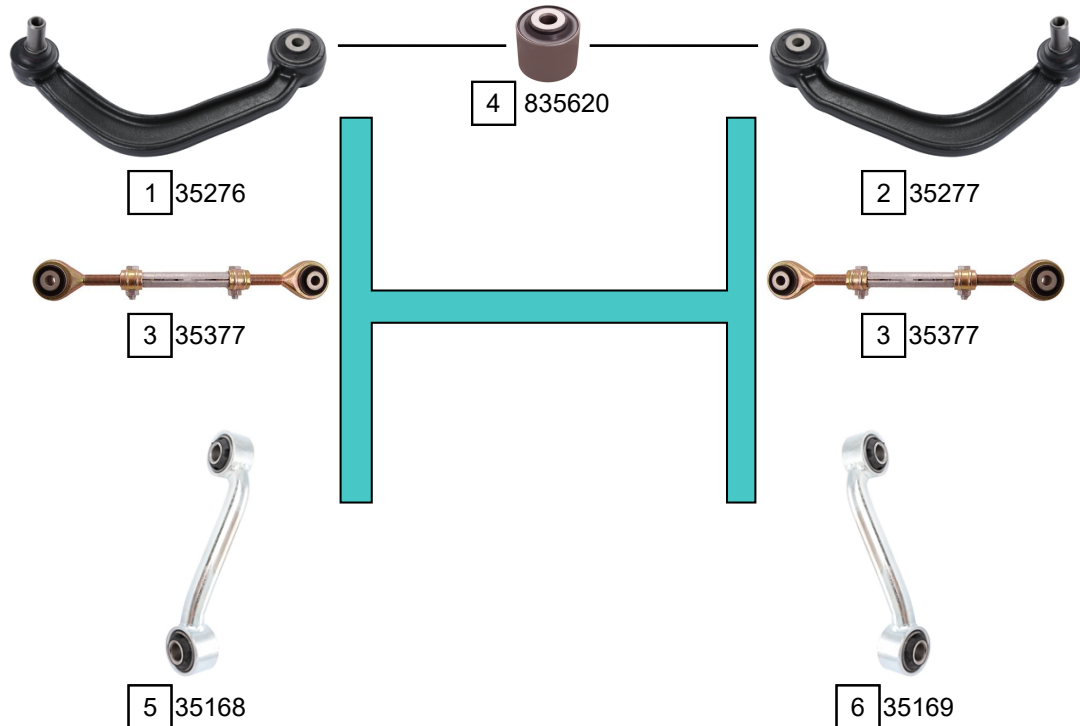
01/1998 - 06/2007



Ref.	Sidem Ref.	Description	OE-number	Measures	Ref.	Sidem Ref.	Description	OE-number	Measures
1	35062	stabiliser link	606 30 757	L:145	8	35273	TCA right wbj	606 66 020	c:12.8
2	835400	strut mount	606 25 002	di:10.2 do:72 L:42	9	835617	silentblock for TCA	Part of	di:10.2 do:40 (*)
3	301.130	steering rack gaiter	994 79 21	D:58 d:34 L:213	10	35270	TCA left wbj	606 95 895	c:17.8
4	35136	tie rod end left	994 79 19	c:12.6 th:FM14x1.5R	11	35271	TCA right wbj	606 95 896	c:17.8
5	35137	tie rod end right	994 79 20	c:12.6 th:FM14x1.5R	12	835616	silentblock for TCA	Part of	di:10.2 do:39.1 (*)
6	35011	axial joint	994 82 97	th:MM16X1.5R L:219	13	835614	silentblock for TCA	Part of	di:12 do:42.1 (*)
7	35272	TCA left wbj	606 66 021	c:12.8	14	835615	silentblock for TCA	Part of	di:20 do:20 (*)

ALFA 166 (936)

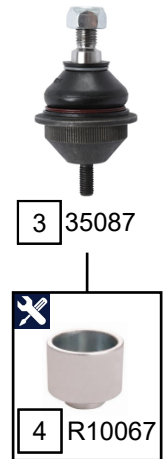
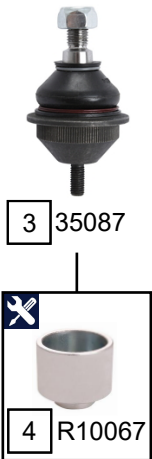
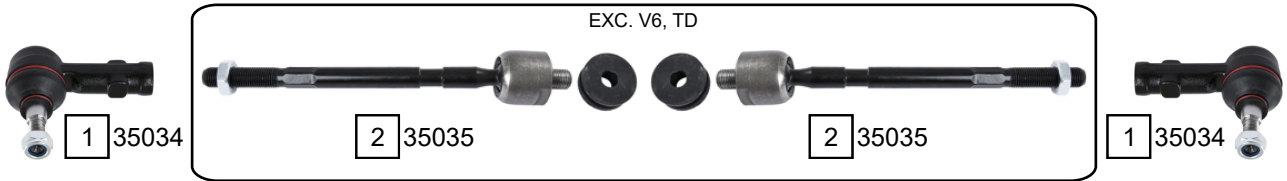
01/1998 - 06/2007



Ref.	Sidem Ref.	Description	OE-number	Measures	Ref.	Sidem Ref.	Description	OE-number	Measures
1	35276	TCA left wbj	606 28 303	c:18	7	49382	ball joint rear	Part of	di:14.2 do:40
2	35277	TCA right wbj	606 28 307	c:18	8	35181	ball joint rear	Part of	di:12.2 do:40
3	35377	track rod	606 28 302	L:275	9	35064	stabiliser link rear axle	606 28 284	L:95
4	835620	silentblock for TCA	Part of	di:12 do:47.2 (*)	10	35065	stabiliser link rear axle	606 28 255	L:95
5	35168	stabiliser link left	606 28 294	L:178	11	835912	stabiliser mounting	Part of	di:20
6	35169	stabiliser link right	606 28 295	L:178	12	R10079	mounting tool ring ø46 ø38	SEE PAGE III	di:38 do:46

ALFETTA (116)
ALFETTA GT (116)

07/1974 - 12/1984
01/1974 - 01/1986



Ref.	Sidem Ref.	Description	OE-number	Measures	Ref.	Sidem Ref.	Description	OE-number	Measures
1	35034	tie rod end	605 21 320	c:12.8 th:FM14x1.5R	3	35087	ball joint lower	605 21 236	c:16 do:44.5
2	35035	axial joint	607 24 204	th:MM14x1.5R L:225	4	R10067	mounting tool ring ø56 ø48	SEE PAGE III	di:48 do:56

ARNA (920)

08/1983 - 12/1986



1 35089

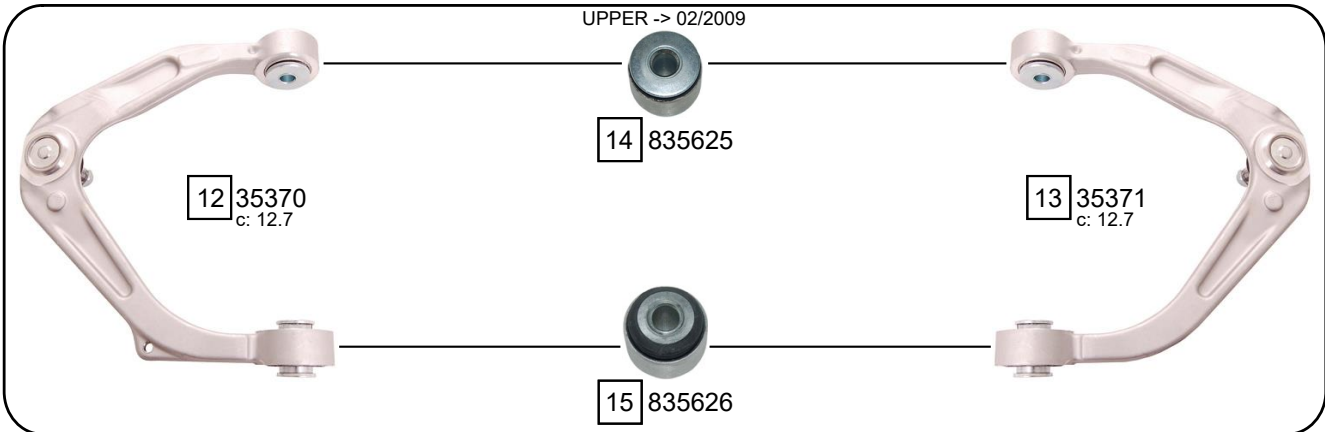
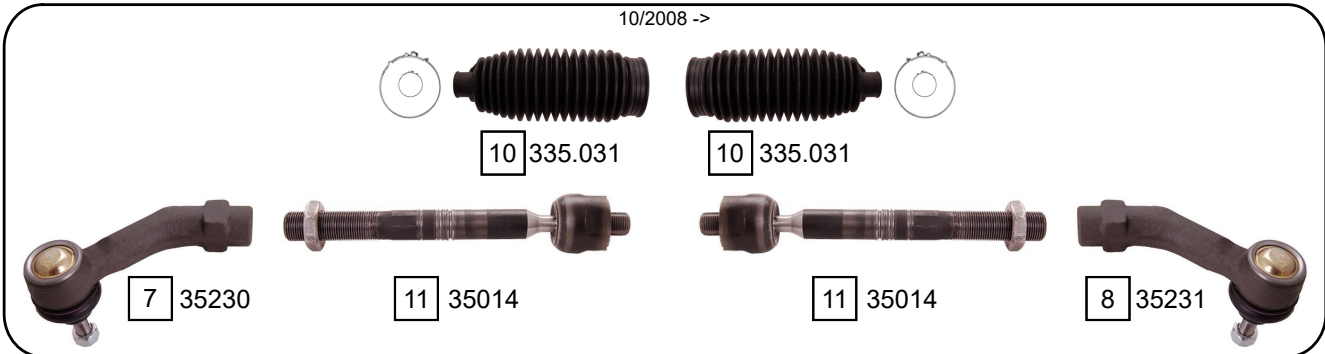
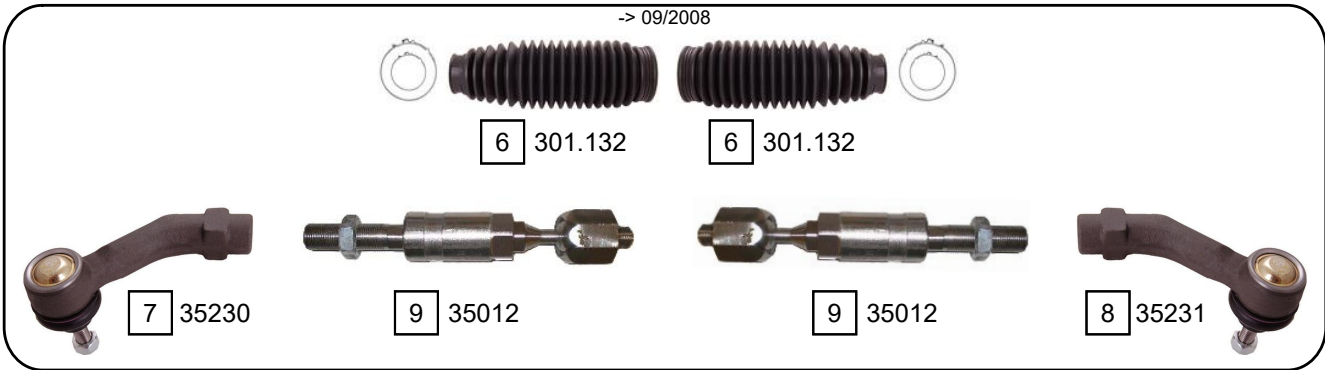
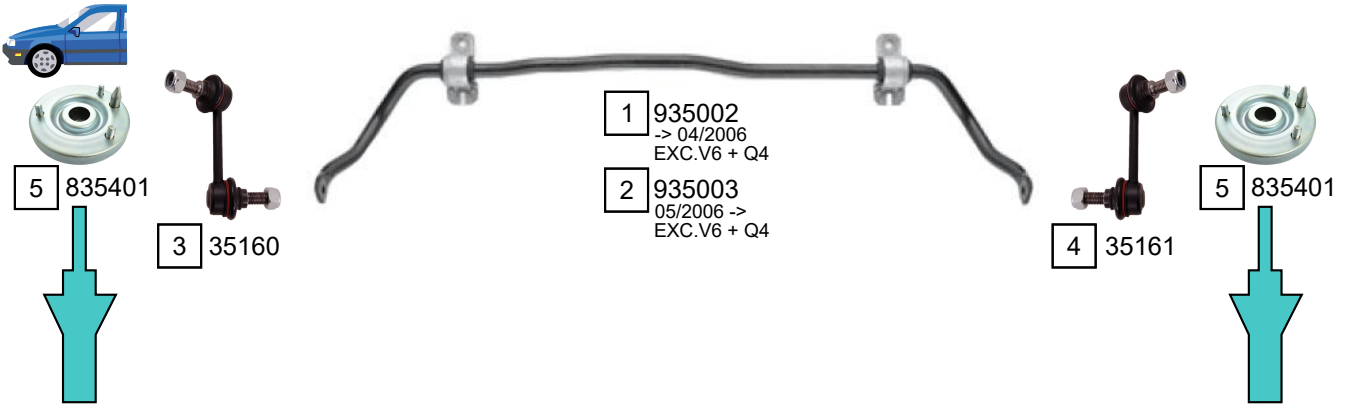


1 35089

Ref.	Sidem Ref.	Description	OE-number	Measures	Ref.	Sidem Ref.	Description	OE-number	Measures
1	35089	ball joint upper	605 37 249	c:14.3					

BRERA

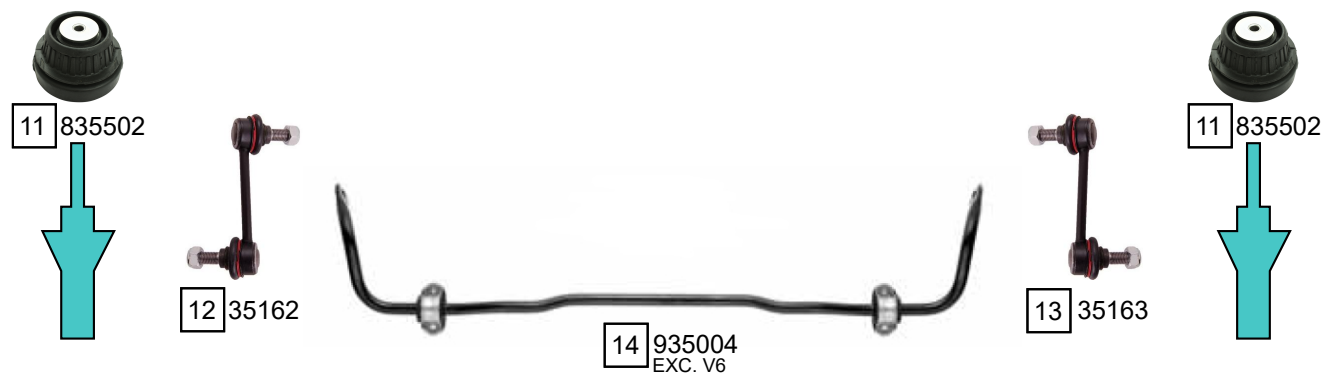
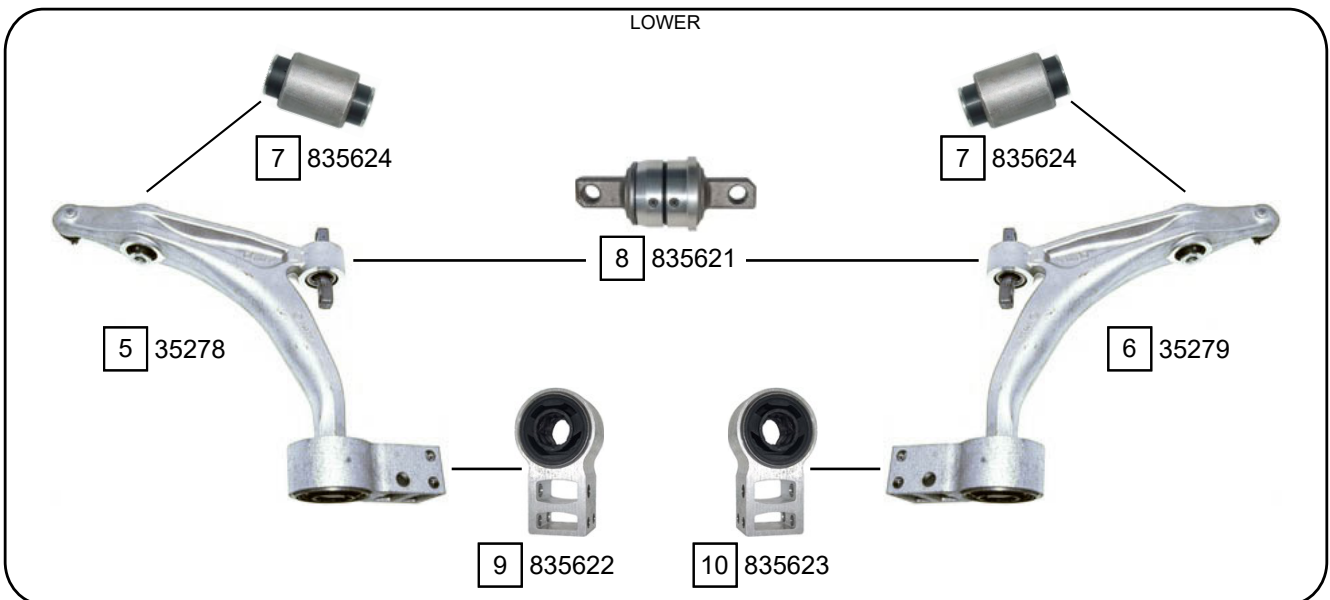
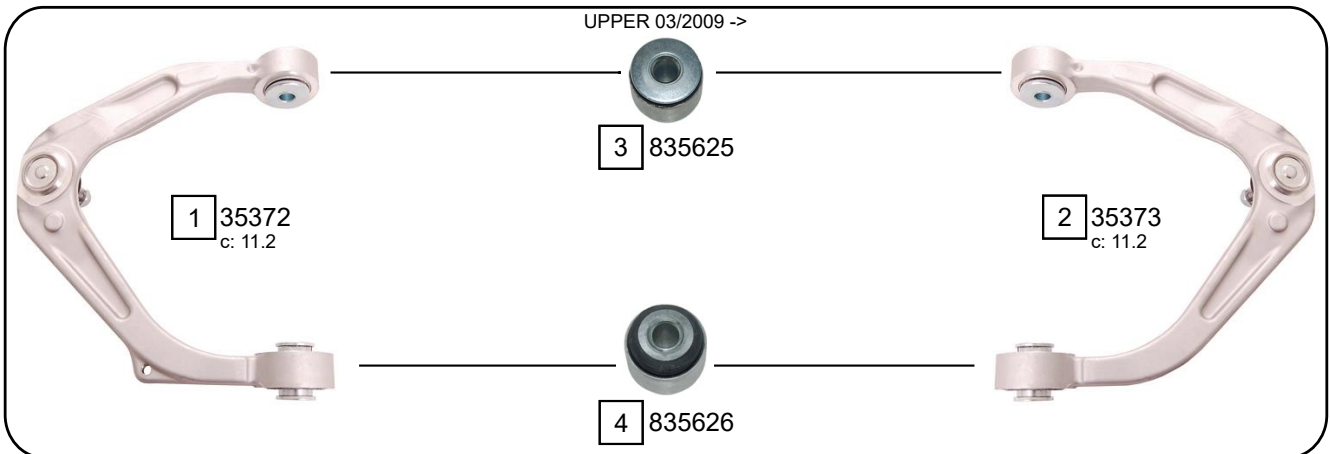
01/2006 - 10/2010



Ref.	Sidem Ref.	Description	OE-number	Measures	Ref.	Sidem Ref.	Description	OE-number	Measures
1	935002	stabilizer bar	507 06 987	do:22 L:1013	9	35012	axial joint	Part of	th:MM16X1.5R L:214
2	935003	stabilizer bar	505 10 813	do:22 L:1013	10	335.031	steering rack gaiter	773 64 750	D:51 d:19.5 L:175
3	35160	stabiliser link left	517 95 454	L:102	11	35014	axial joint	Part of	th:MM16X1.5R L:214
4	35161	stabiliser link right	517 95 455	L:102	12	35370	TCA left wbj	517 87 337	c:12.7
5	835401	strut mount	505 15 176	di:10.1 do:141.5 L:56.5	13	35371	TCA right wbj	517 87 336	c:12.7
6	301.132	steering rack gaiter	773 63 705	D:51 d:34 L:198	14	835625	silentblock for TCA	Part of	di:13.2 do:41.2 (*)
7	35230	tie rod end left	773 63 706	c:14.6 th:FM20X1.5R	15	835626	silentblock for TCA	Part of	di:13.2 do:43.2 (*)
8	35231	tie rod end right	773 63 707	c:14.6 th:FM20X1.5R					

BRERA

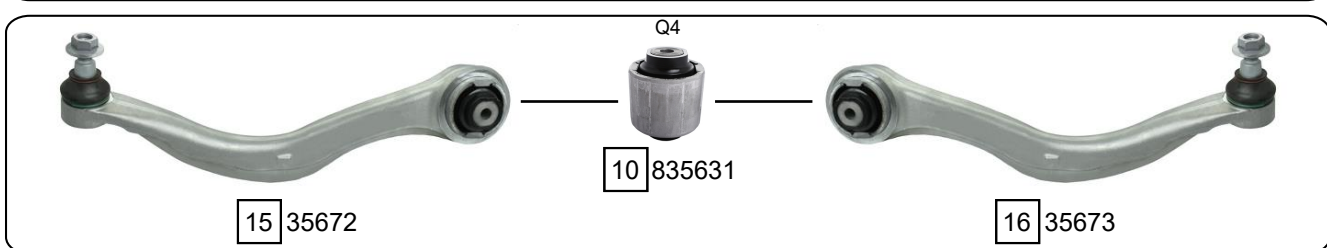
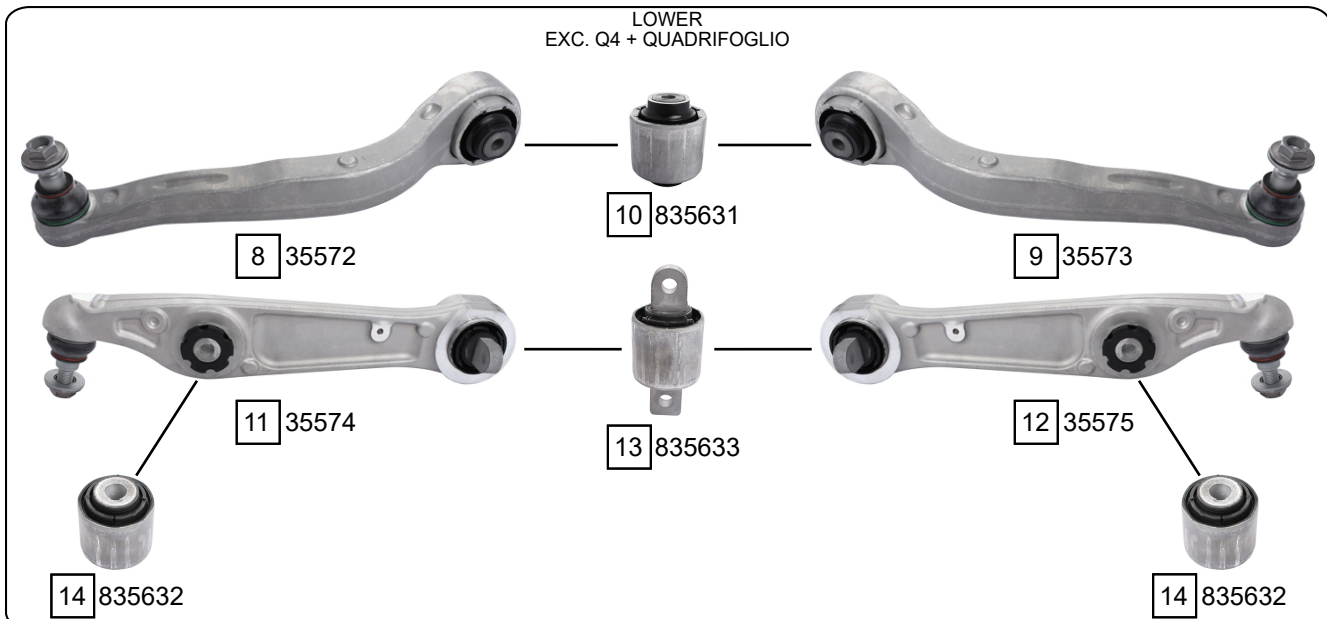
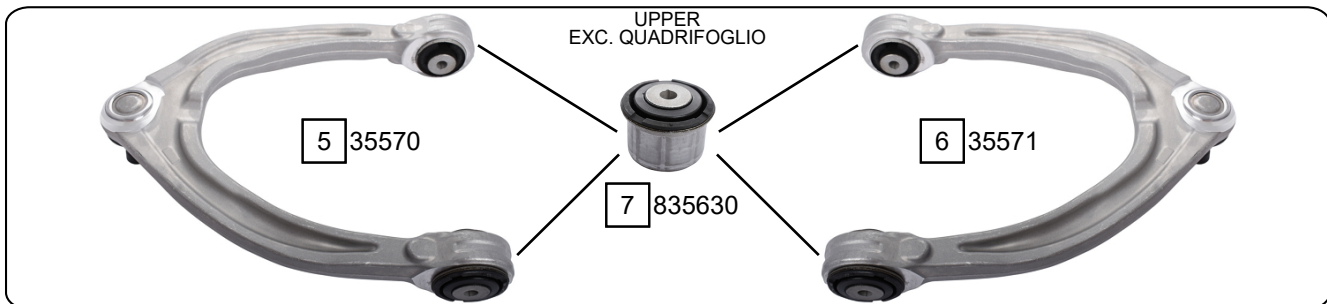
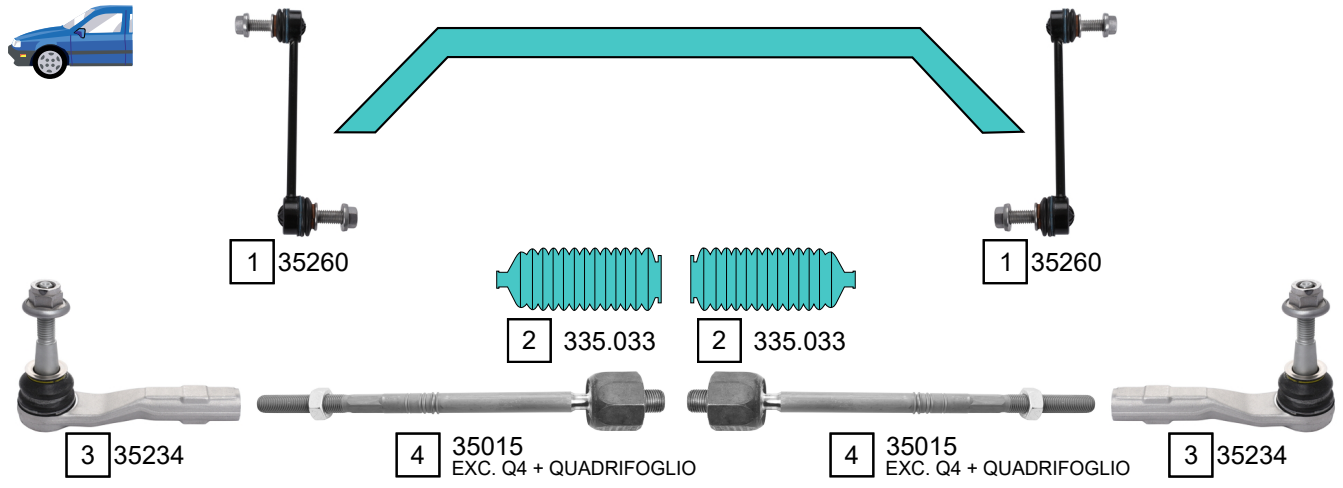
01/2006 - 10/2010



Ref.	Sidem Ref.	Description	OE-number	Measures	Ref.	Sidem Ref.	Description	OE-number	Measures
1	35372	TCA left wbj	518 28 661	c:11.2	8	835621	silentblock for TCA	Part of	do:48 (*)
2	35373	TCA right wbj	518 28 660	c:11.2	9	835622	silentblock for TCA	507 08 721	di:32 (*)
3	835625	silentblock for TCA	Part of	di:13.2 do:41.2 (*)	10	835623	silentblock for TCA	507 08 722	di:32 (*)
4	835626	silentblock for TCA	Part of	di:13.2 do:43.2 (*)	11	835502	strut mount	505 15 203	di:10.3 L:63
5	35278	TCA left wbj	517 95 447	c:19.7	12	35162	stabiliser link left	517 95 705	L:116
6	35279	TCA right wbj	517 95 446	c:19.7	13	35163	stabiliser link right	517 95 704	L:116
7	835624	silentblock for TCA	Part of	di:14.2 do:42.1 (*)	14	935004	stabilizer bar	517 95 519	do:21

GIULIA (952 _)

10/2015 ->



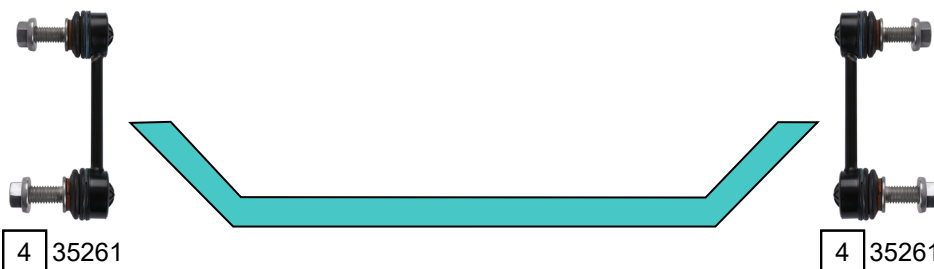
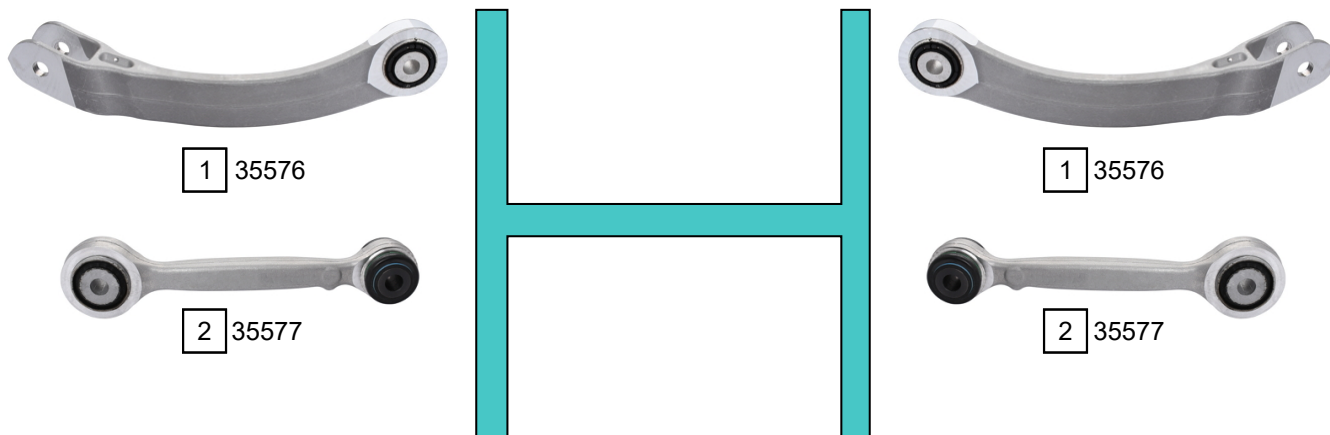
Ref.	Sidem Ref.	Description	OE-number	Measures	Ref.	Sidem Ref.	Description	OE-number	Measures
1	35260	stabiliser link	505 43 482	L:183	9	35573	TCA right wbj	505 47 026	c:18.6
2	335.033	steering rack gaiter	773 67 924	D:63 d:13.5 L:216	10	835631	silentblock for TCA	Part of	di:12.1 do:69.8 (*)
3	35234	tie rod end	773 67 925	c:13.4 th:FM14X1.5R	11	35574	TCA left wbj	505 52 625	c:19.6
4	35015	axial joint	Part of	th:MM16X1.5R L:277	12	35575	TCA right wbj	505 52 623	c:19.6
5	35570	TCA left wbj	505 33 329	c:18	13	835633	silentblock for TCA	Part of	do:50.6 (*)
6	35571	TCA right wbj	505 33 327	c:18	14	835632	silentblock for TCA	Part of	di:12.1 do:42.9 (*)
7	835630	silentblock for TCA	Part of	di:10.1 do:47.8 (*)	15	35672	TCA left wbj	505 47 029	c:18.6
8	35572	TCA left wbj	505 47 027	c:18.6	16	35673	TCA right wbj	505 47 028	c:18.6

ALFA ROMEO

GIULIA

GIULIA (952 _)

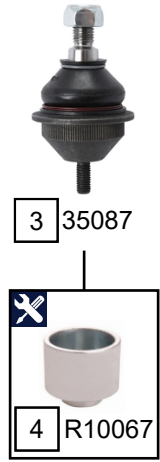
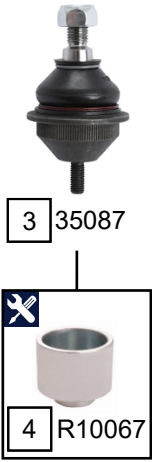
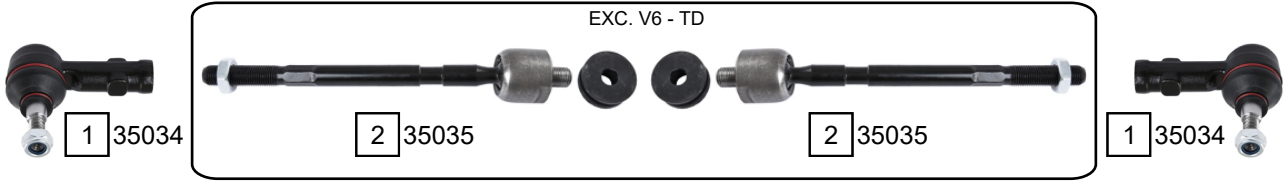
10/2015 ->



Ref.	Sidem Ref.	Description	OE-number	Measures	Ref.	Sidem Ref.	Description	OE-number	Measures
1	35576	track rod	505 43 275	L:280	3	35578	track rod	505 40 592	L:110
2	35577	track rod	505 40 594	L:195	4	35261	stabiliser link	505 43 807	L:110

GIULIETTA (116)

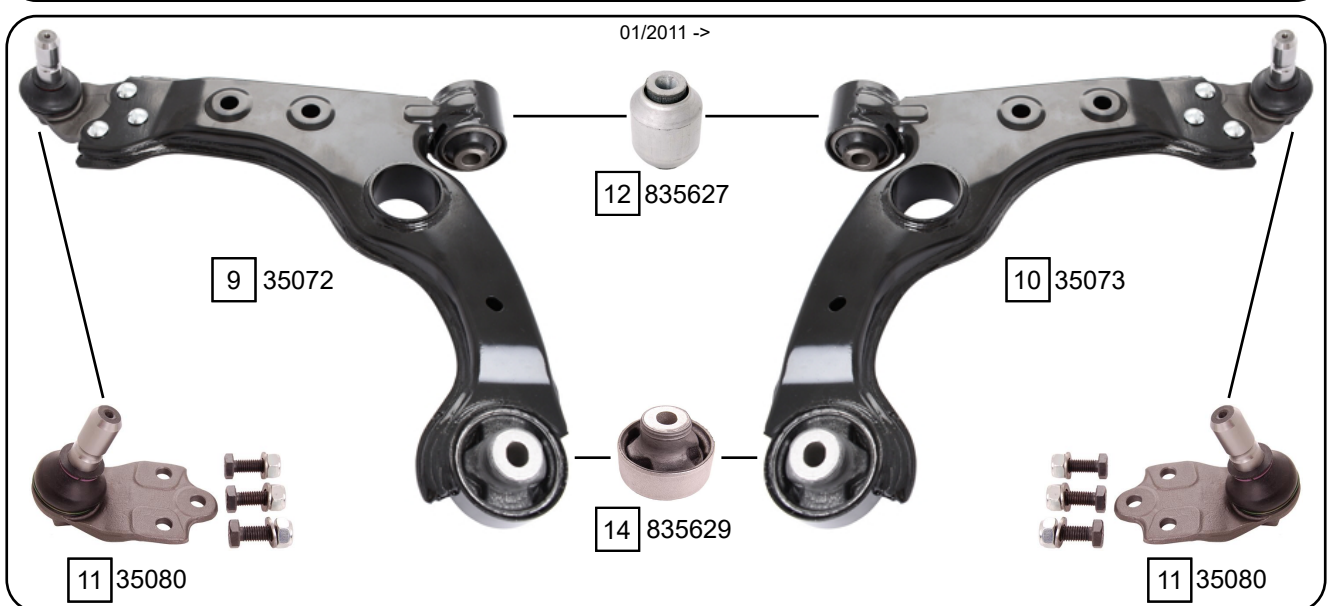
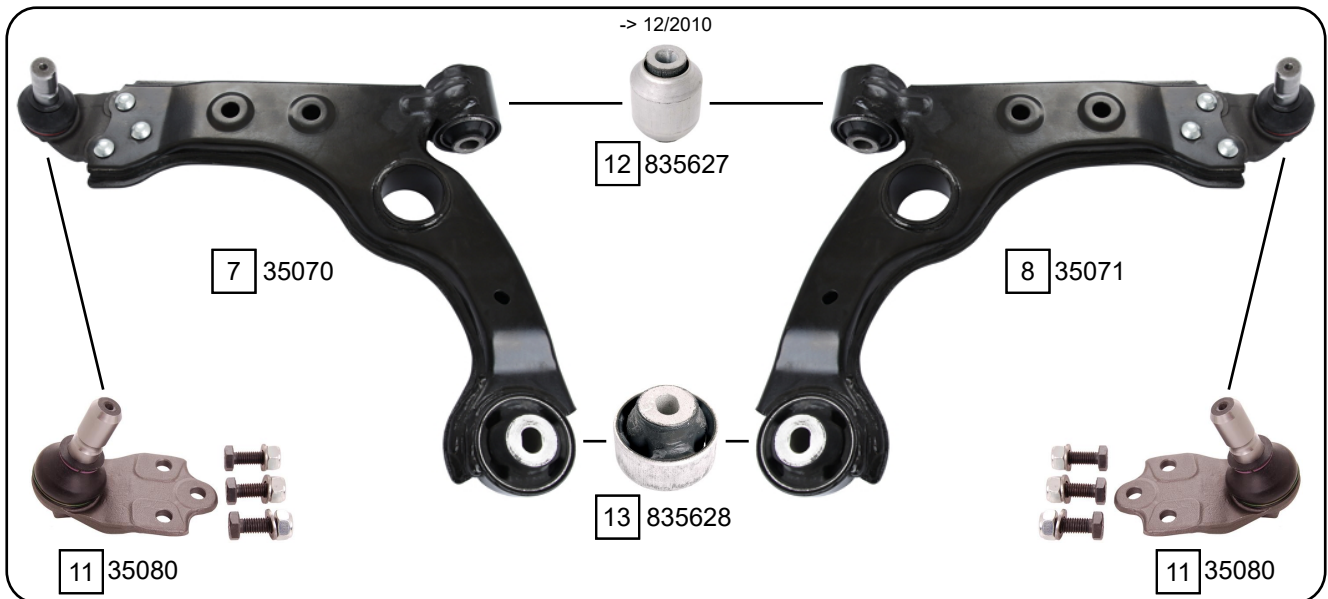
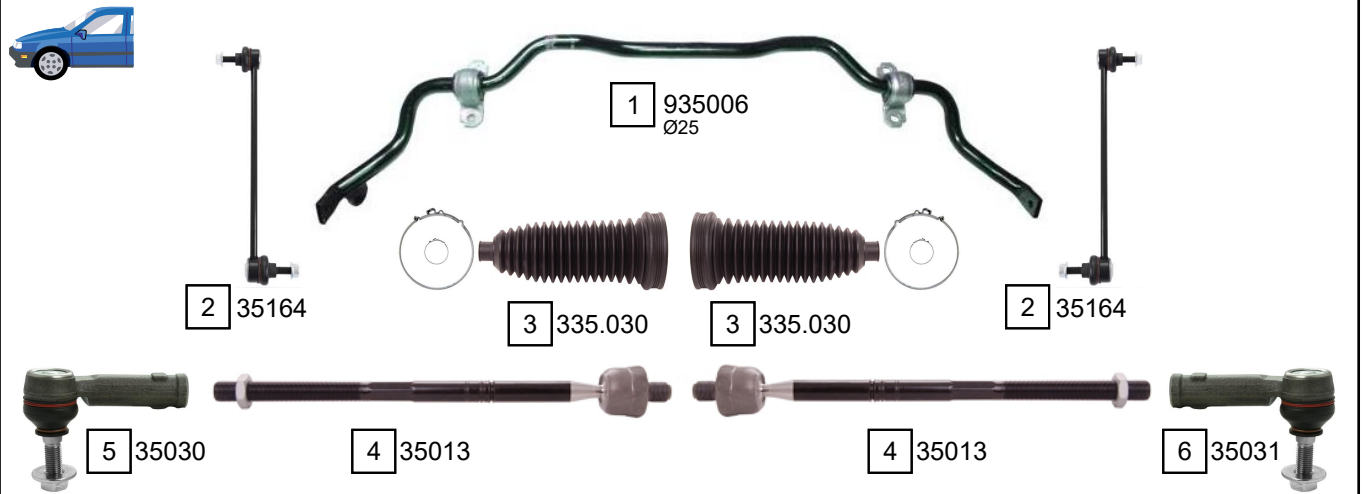
10/1977 - 12/1985



Ref.	Sidem Ref.	Description	OE-number	Measures	Ref.	Sidem Ref.	Description	OE-number	Measures
1	35034	tie rod end	605 21 320	c:12.8 th:FM14x1.5R	3	35087	ball joint lower	605 21 236	c:16 do:44.5
2	35035	axial joint	607 24 204	th:MM14x1.5R L:225	4	R10067	mounting tool ring ø56 ø48	SEE PAGE III	di:48 do:56

GIULIETTA (940)

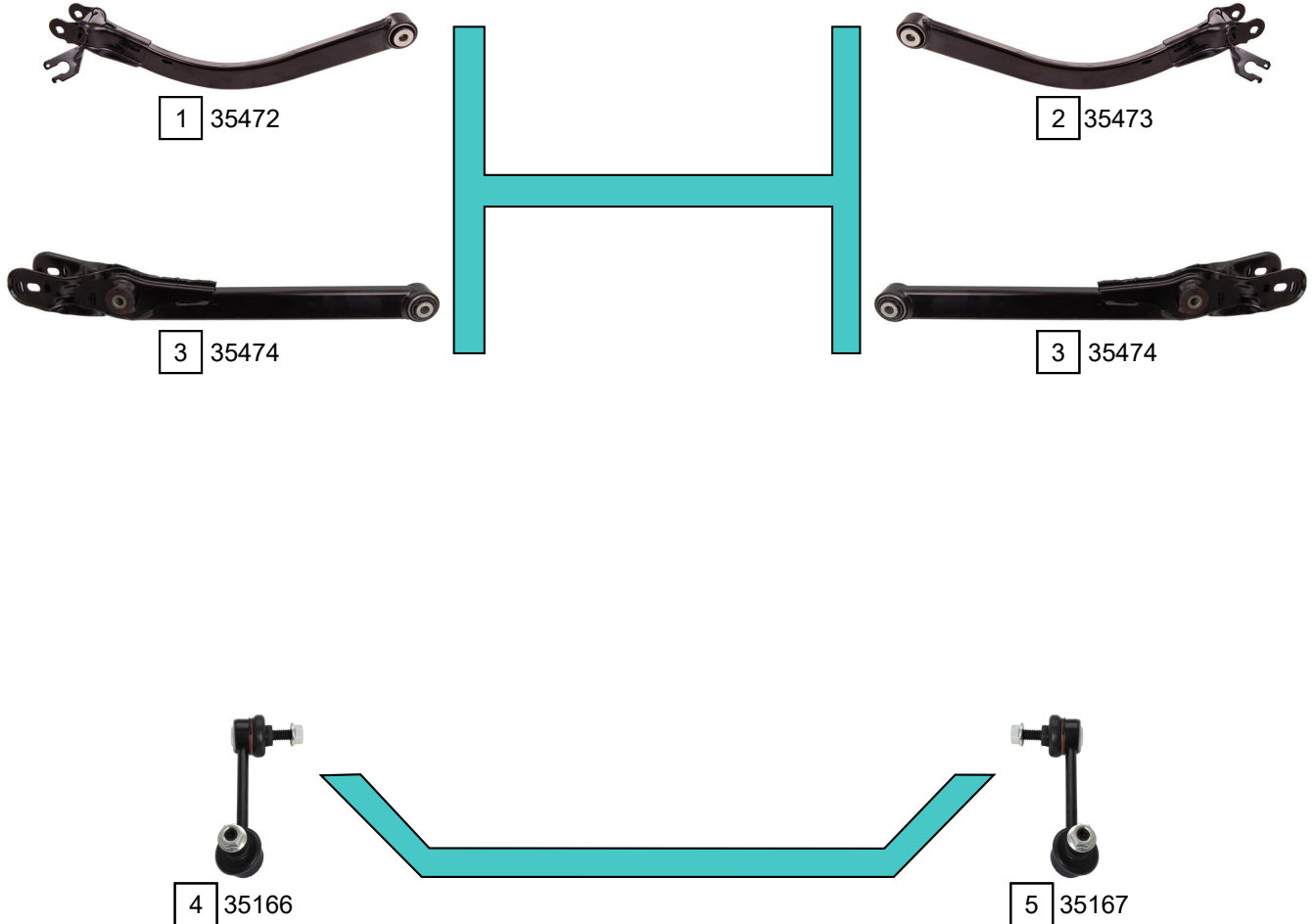
04/2010 ->



Ref.	Sidem Ref.	Description	OE-number	Measures	Ref.	Sidem Ref.	Description	OE-number	Measures
1	935006	stabilizer bar	505 18 567	do:25 L:1050	8	35071	TCA right wbj	505 13 442	c:19
2	35164	stabiliser link	518 05 870	L:296	9	35072	TCA left wbj	505 21 046	c:19
3	335.030	steering rack gaiter	505 20 351	D:73 d:16 L:185	10	35073	TCA right wbj	505 21 045	c:19
4	35013	axial joint	Part of	th:MM16x1.5R L:330	11	35080	ball joint	Part of	c:19
5	35030	tie rod end left	505 20 352	c:13.3 th:FM16x1.5R	12	835627	silentblock for TCA	Part of	di:14.1 do:47.7 (*)
6	35031	tie rod end right	505 20 353	c:13.3 th:FM16x1.5R	13	835628	silentblock for TCA	Part of	di:12.1 do:59.6 (*)
7	35070	TCA left wbj	505 13 444	c:19	14	835629	silentblock for TCA	Part of	di:12.1 do:60 (*)

GIULIETTA (940)

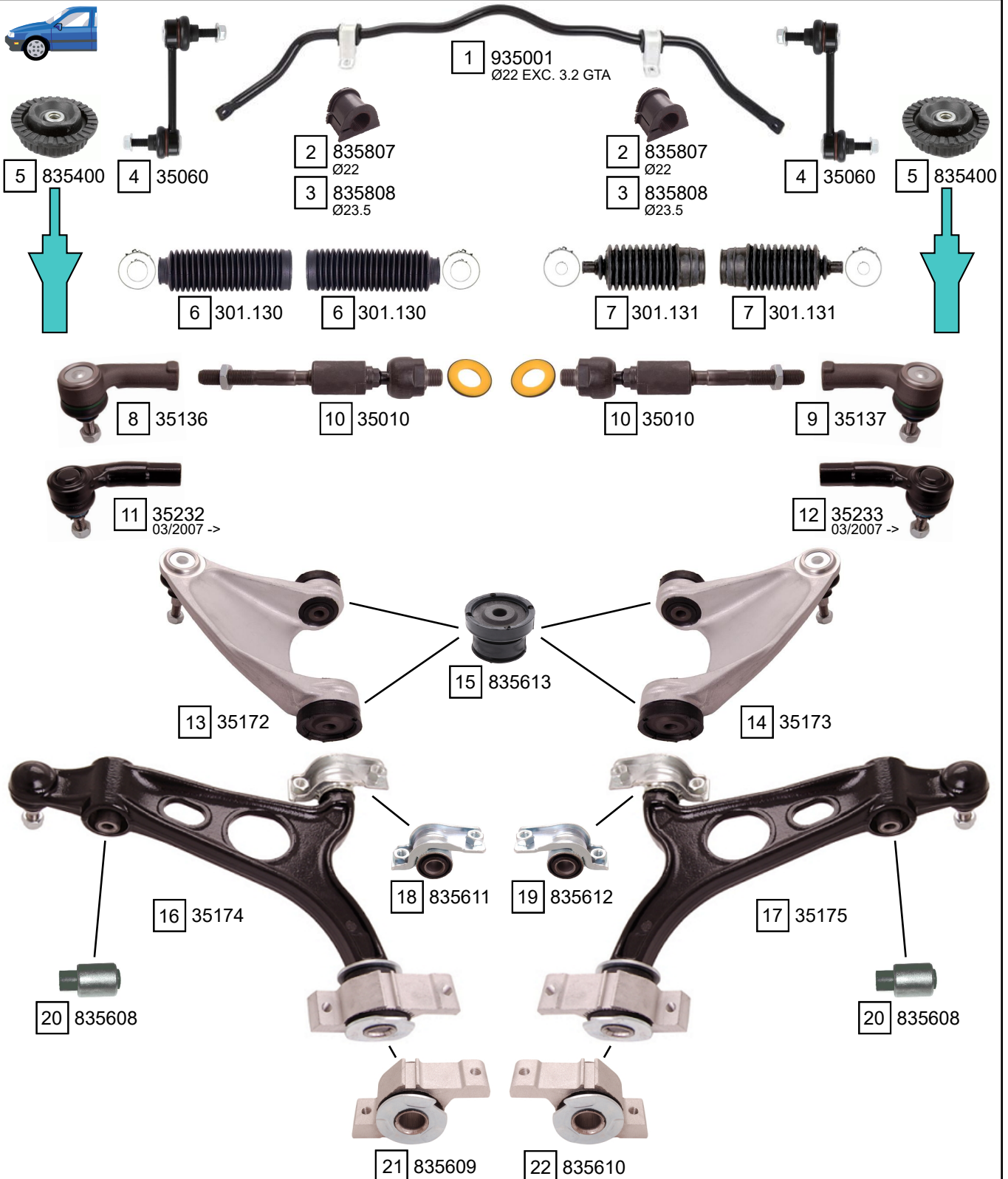
04/2010 ->



Ref.	Sidem Ref.	Description	OE-number	Measures	Ref.	Sidem Ref.	Description	OE-number	Measures
1	35472	track rod	518 91 069	L:515	4	35166	stabiliser link left	505 15 274	L:113
2	35473	track rod	518 91 068	L:515	5	35167	stabiliser link right	505 15 275	L:113
3	35474	track rod	505 21 929	L:530					

GT (937)

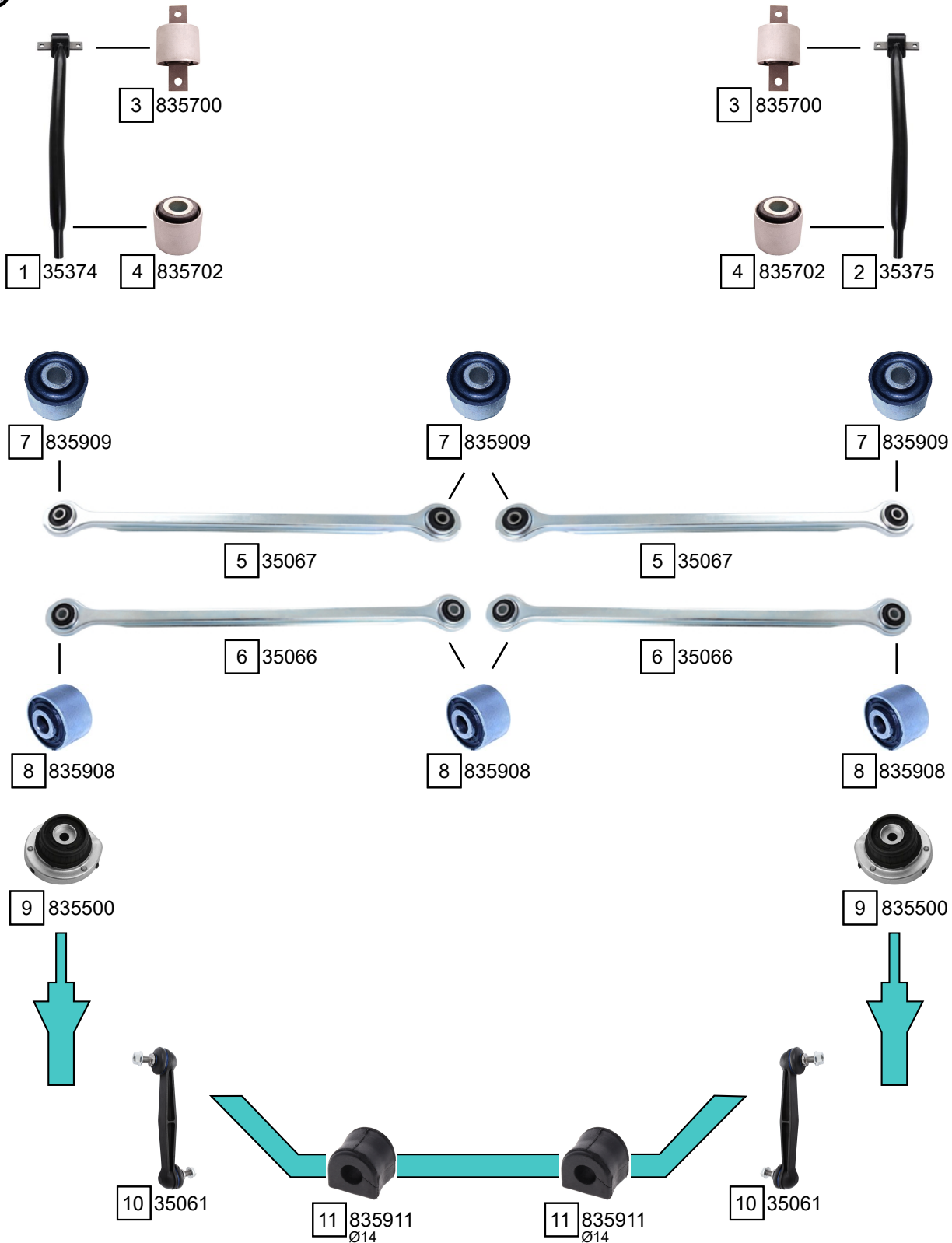
11/2003 - 09/2010



Ref.	Sidem Ref.	description	OE-number	measures	Ref.	Sidem Ref.	description	OE-number	measures
1	935001	stabilizer bar	517 54 198	do:22 L:1021	12	35233	tie rod end right	773 64 522	c:12.5 th:FM14X1.5R
2	835807	stabiliser mounting	Part of	di:22	13	35172	TCA left wbj	518 34 093	c:12.8
3	835808	stabiliser mounting	Part of	di:23	14	35173	TCA right wbj	518 34 094	c:12.8
4	35060	stabiliser link	468 43 389	L:124	15	835613	silentblock for TCA	Part of	di:10.2 do:40 (*)
5	835400	strut mount	606 25 002	di:10.2 do:72 L:42	16	35174	TCA left wbj	606 86 891	c:17.7
6	301.130	steering rack gaiter	994 79 21	D:58 d:34 L:213	17	35175	TCA right wbj	606 86 892	c:17.7
7	301.131	steering rack gaiter	773 62 287	D:62 d:12 L:172	18	835611	silentblock for TCA	Part of	di:18.7 do:18.7 (*)
8	35136	tie rod end left	994 79 19	c:12.6 th:FM14x1.5R	19	835612	silentblock for TCA	Part of	di:18.7 do:18.7 (*)
9	35137	tie rod end right	994 79 20	c:12.6 th:FM14x1.5R	20	835608	silentblock for TCA	Part of	di:12.3 do:42.0 (*)
10	35010	axial joint	994 79 23	th:MM16X1.5R L:204	21	835609	silentblock for TCA	Part of	di:19.8 do:19.8 (*)
11	35232	tie rod end left	773 64 521	c:12.5 th:FM14X1.5R	22	835610	silentblock for TCA right	Part of	di:19.8 do:19.8 (*)

GT (937)

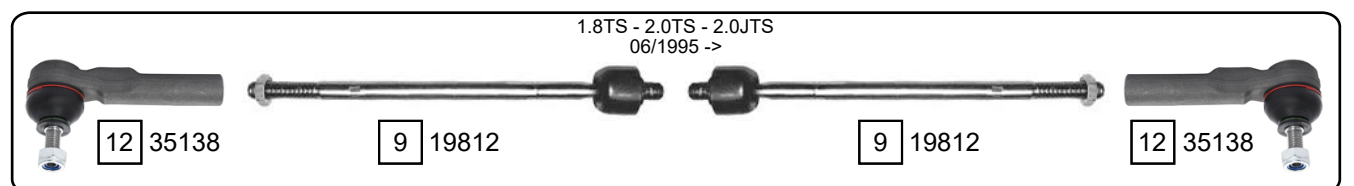
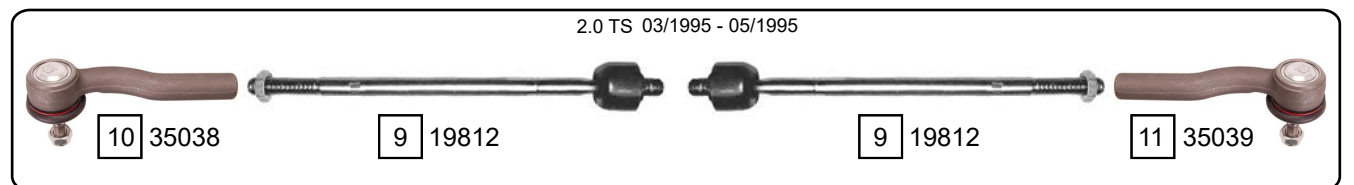
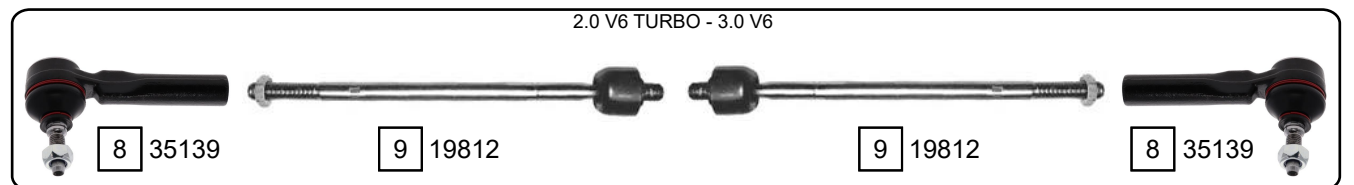
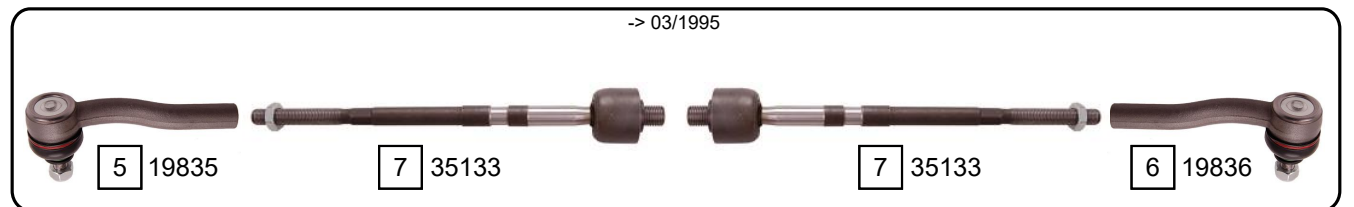
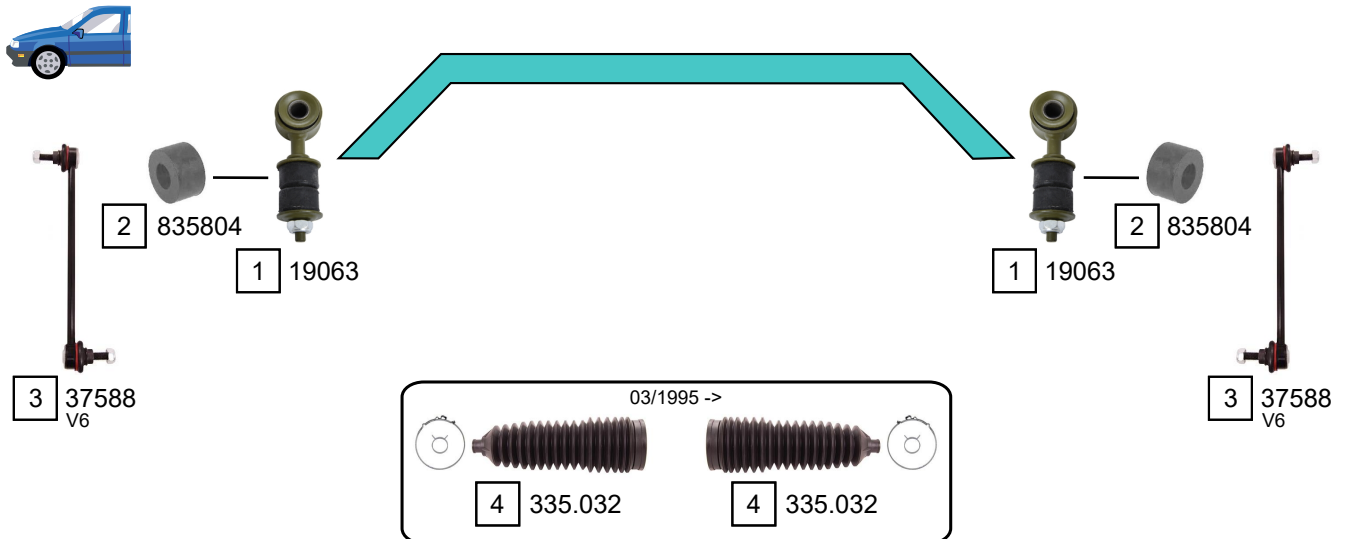
11/2003 - 09/2010



Ref.	Sidem Ref.	Description	OE-number	Measures	Ref.	Sidem Ref.	Description	OE-number	Measures
1	35374	track rod	517 77 717	L:505	7	835909	silentblock for TCA	Part of	di:12.2 do:40.2 (*)
2	35375	track rod	517 77 718	L:505	8	835908	silentblock for TCA	Part of	di:12 do:38.2 (*)
3	835700	silentblock for TCA	Part of	do:58.4 (*)	9	835500	strut mount	467 91 956	di:14.3 do:72
4	835702	silentblock for TCA	606 82 636	di:11.9 do:32.2 (*)	10	35061	stabiliser link rear axle	606 13 575	L:180
5	35067	track rod	606 29 903	L:560	11	835911	stabiliser mounting	Part of	di:13.5
6	35066	track rod	517 49 713	L:593					

GTV (916C_)

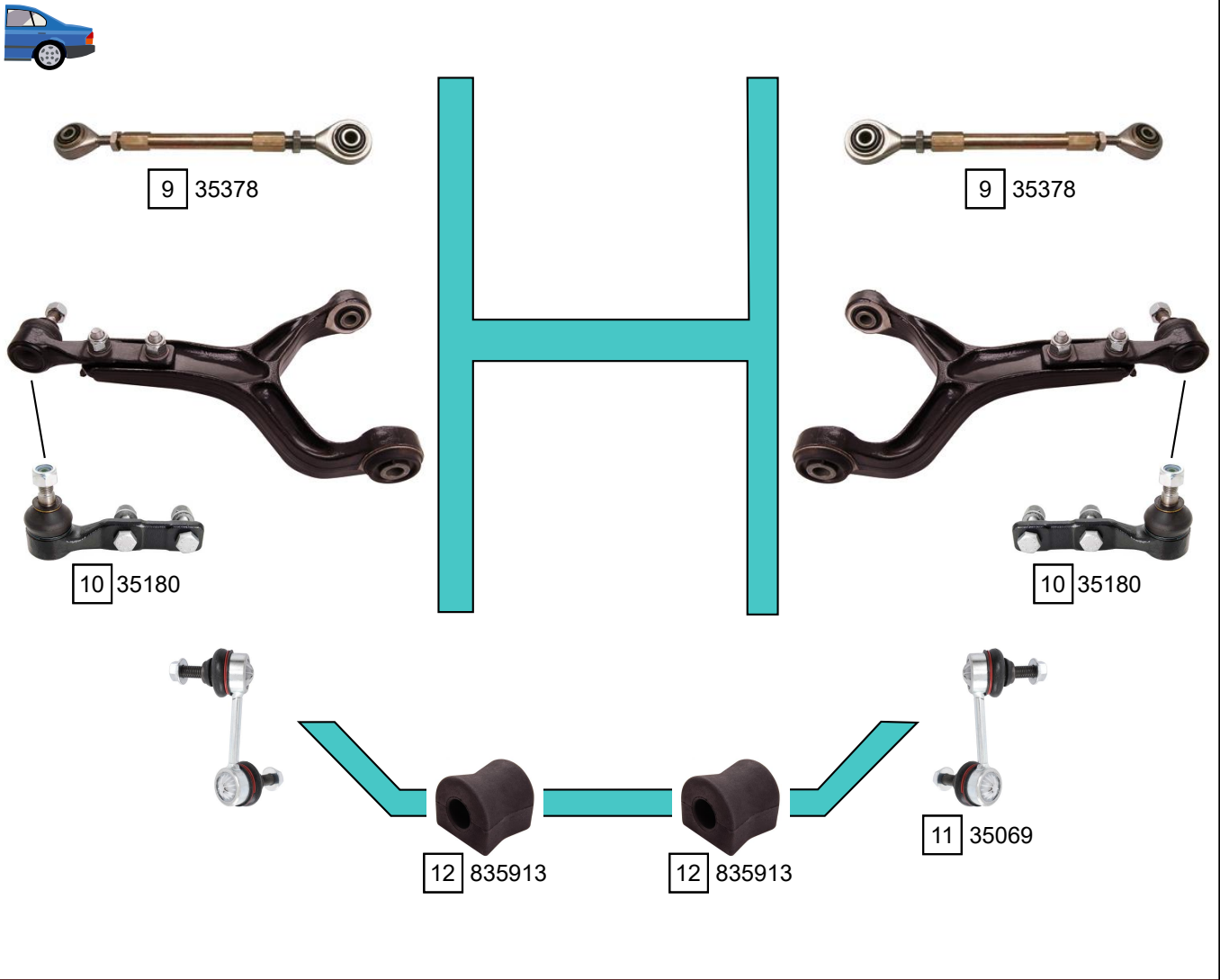
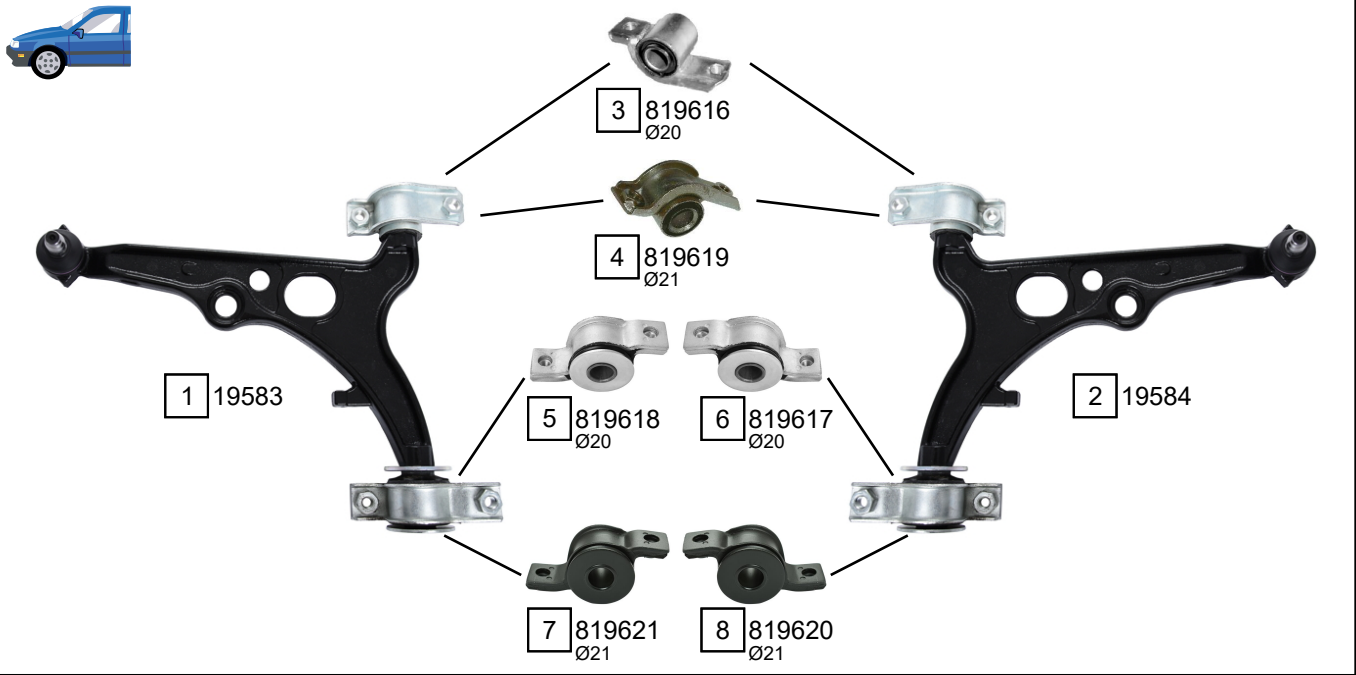
09/1994 - 01/2006



Ref.	Sidem Ref.	Description	OE-number	Measures	Ref.	Sidem Ref.	Description	OE-number	Measures
1	19063	stabiliser link	605 70 627	L:90	7	35133	axial joint	994 44 52	th:MM14X1.5R L:285
2	835804	stabiliser mounting	760 16 42	di:10.3	8	35139	tie rod end	994 77 20	c:12.5 th:FM14x1.5R
3	37588	stabiliser link	606 14 514	L:270	9	19812	axial joint	994 77 18	th:MM14x1.5R L:292
4	335.032	steering rack gater	994 77 21	D:59 d:12 L:195	10	35038	tie rod end left	994 77 65	c:12 th:FM14X1.5R
5	19835	tie rod end left	994 74 37	c:12 th:FM12X1.5R	11	35039	tie rod end right	994 77 64	c:12 th:FM14X1.5R
6	19836	tie rod end right	994 74 38	c:12 th:FM12X1.5R	12	35138	tie rod end	994 77 19	c:12 th:FM14X1.5R

GTV (916C_)

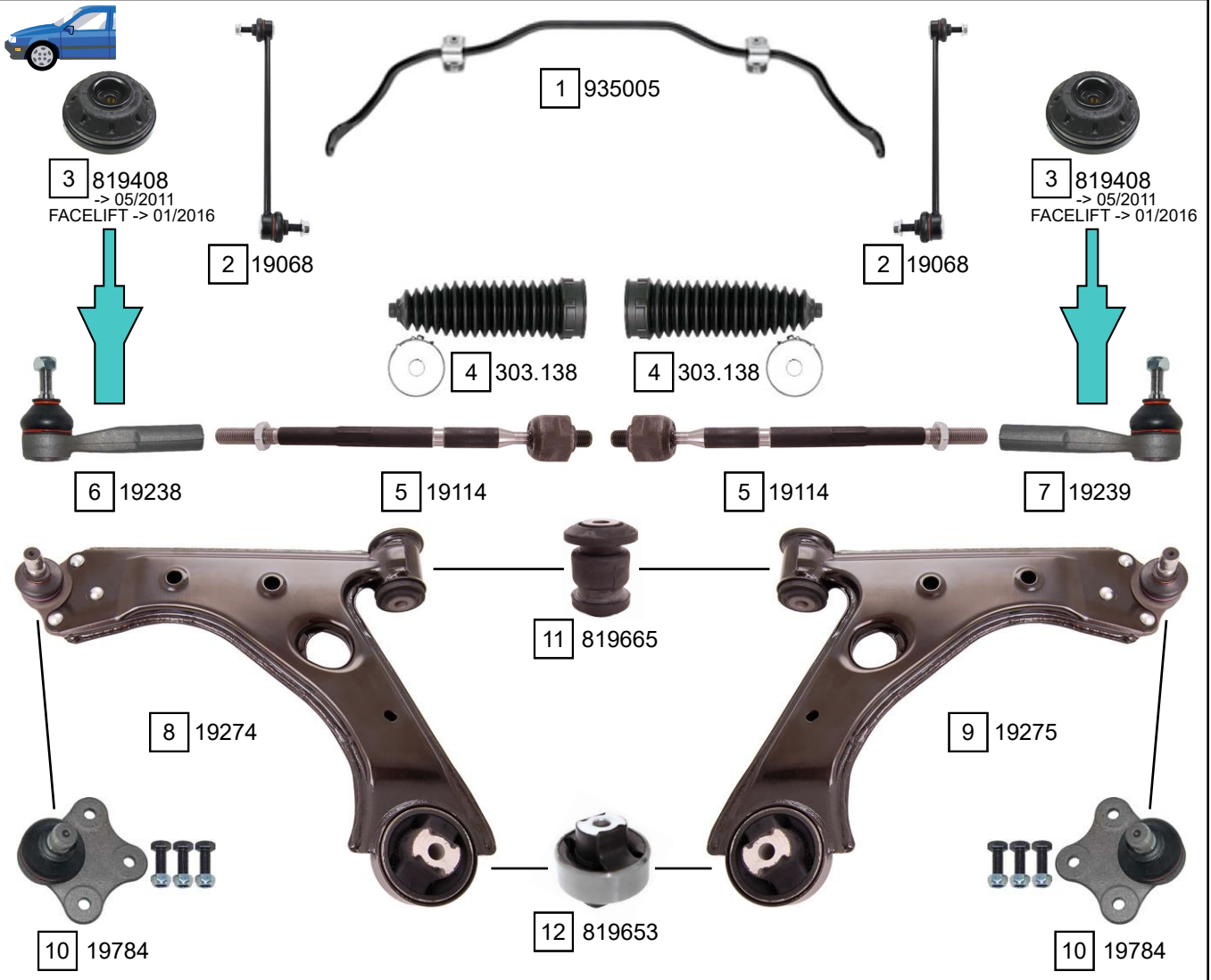
09/1994 - 01/2006



Ref.	Sidem Ref.	Description	OE-number	Measures	Ref.	Sidem Ref.	Description	OE-number	Measures
1	19583	TCA left wbj	464 74 556	c:17	7	819621	silentblock for TCA	Part of	di:20.7 do:20.7 (*)
2	19584	TCA right wbj	464 74 557	c:17	8	819620	silentblock for TCA	Part of	di:20.7 do:20.7 (*)
3	819616	silentblock for TCA	Part of	di:19.7 do:19.7 (*)	9	35378	track rod	606 27 480	
4	819619	silentblock for TCA	Part of	di:20.7 do:20.7 (*)	10	35180	ball joint	Part of	c:13
5	819618	silentblock for TCA	Part of	di:19.7 do:19.7 (*)	11	35069	stabiliser link rear axle	606 12 435	L:90
6	819617	silentblock for TCA	Part of	di:19.7 do:19.7 (*)	12	835913	stabiliser mounting	824 12 746	di:18

MITO (955)

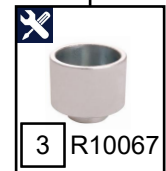
09/2008 ->



Ref.	Sidem Ref.	Description	OE-number	Measures	Ref.	Sidem Ref.	Description	OE-number	Measures
1	935005	stabilizer bar	505 15 569	do:19 L:1036	9	19275	TCA right wbj	518 95 366	c:16
2	19068	stabiliser link	557 00 753	L:301	10	19784	ball joint	3 52 087	c:16
3	819408	strut mount	505 21 707	di:12.7 do:110 L:54	11	819665	silentblock for TCA	Part of	di:12.1 do:42.4 (*)
4	303.138	steering rack gaiter	773 63 828	D:55 d:12 L:200	12	819653	silentblock for TCA	Part of	di:12.2 do:71 (*)
5	19114	axial joint	Part of	th:MM14X1.5R L:294	13	819500	strut mount	518 03 173	di:10 do:58 L:50
6	19238	tie rod end left	773 64 568	c:11.6 th:FM14X1.5R	14	819501	strut mount	518 03 172	di:10.7 L:51
7	19239	tie rod end right	773 64 569	c:11.6 th:FM14X1.5R	15	835300	mounting axle body	518 04 552	di:12.3 do:69
8	19274	TCA left wbj	518 95 367	c:16					

RZ
SZ

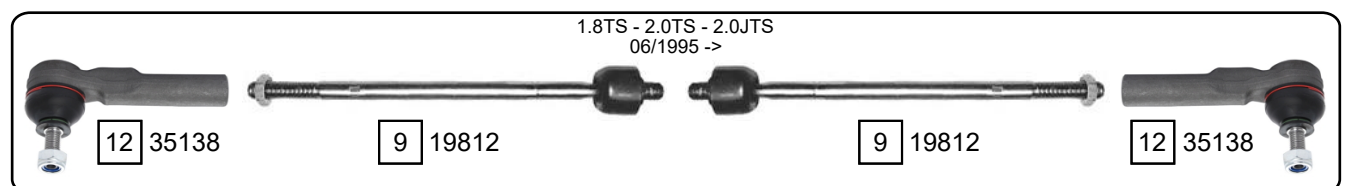
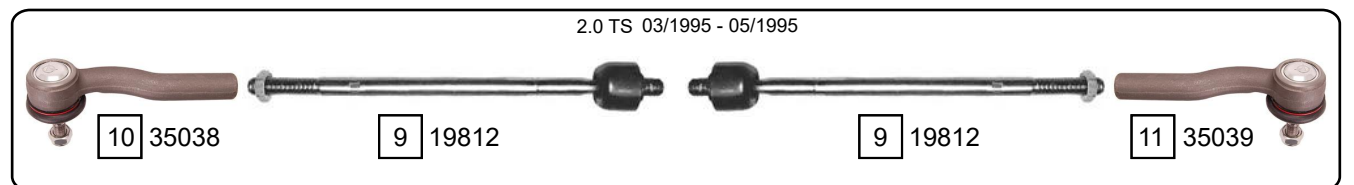
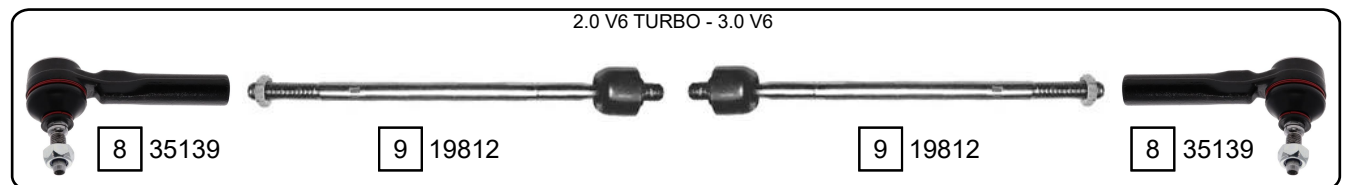
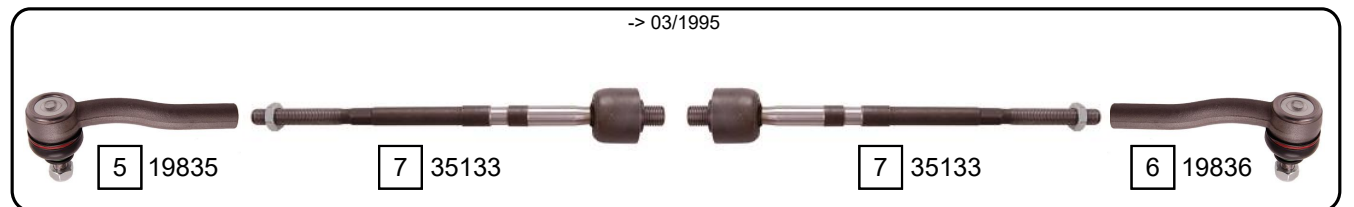
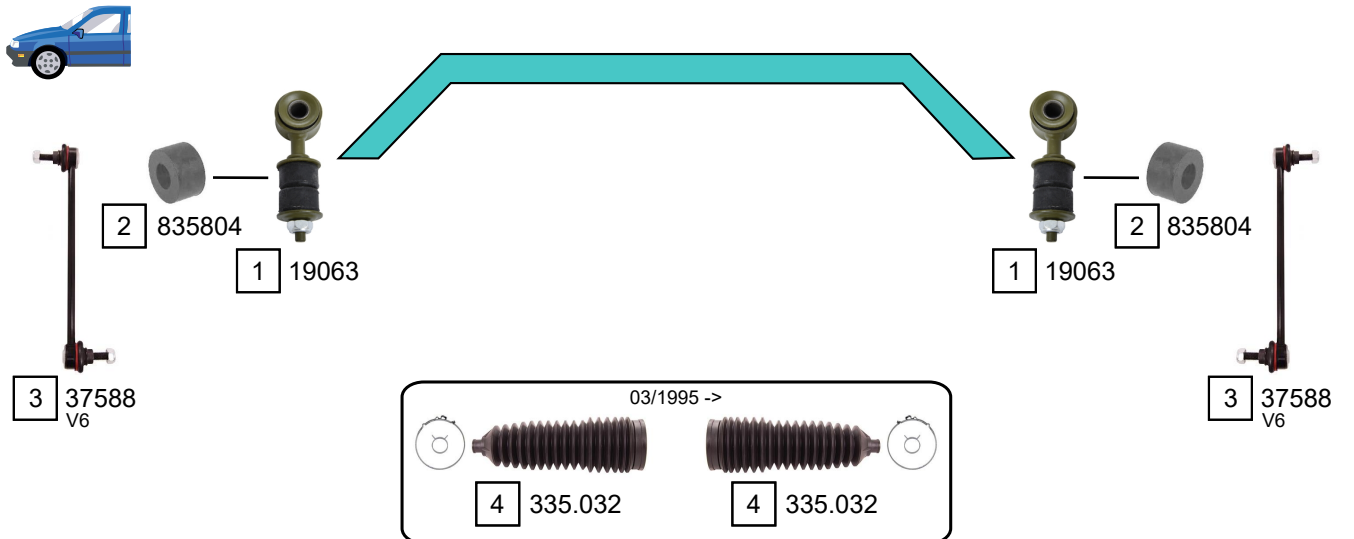
01/1992 - 12/1994
09/1988 - 08/1994



Ref.	Sidem Ref.	Description	OE-number	Measures	Ref.	Sidem Ref.	Description	OE-number	Measures
1	35034	tie rod end	605 21 320	c:12.8 th:FM14x1.5R	3	R10067	mounting tool ring ø56 ø48	SEE PAGE III	di:48 do:56
2	35087	ball joint lower	605 21 236	c:16 do:44.5					

SPIDER (916S_)

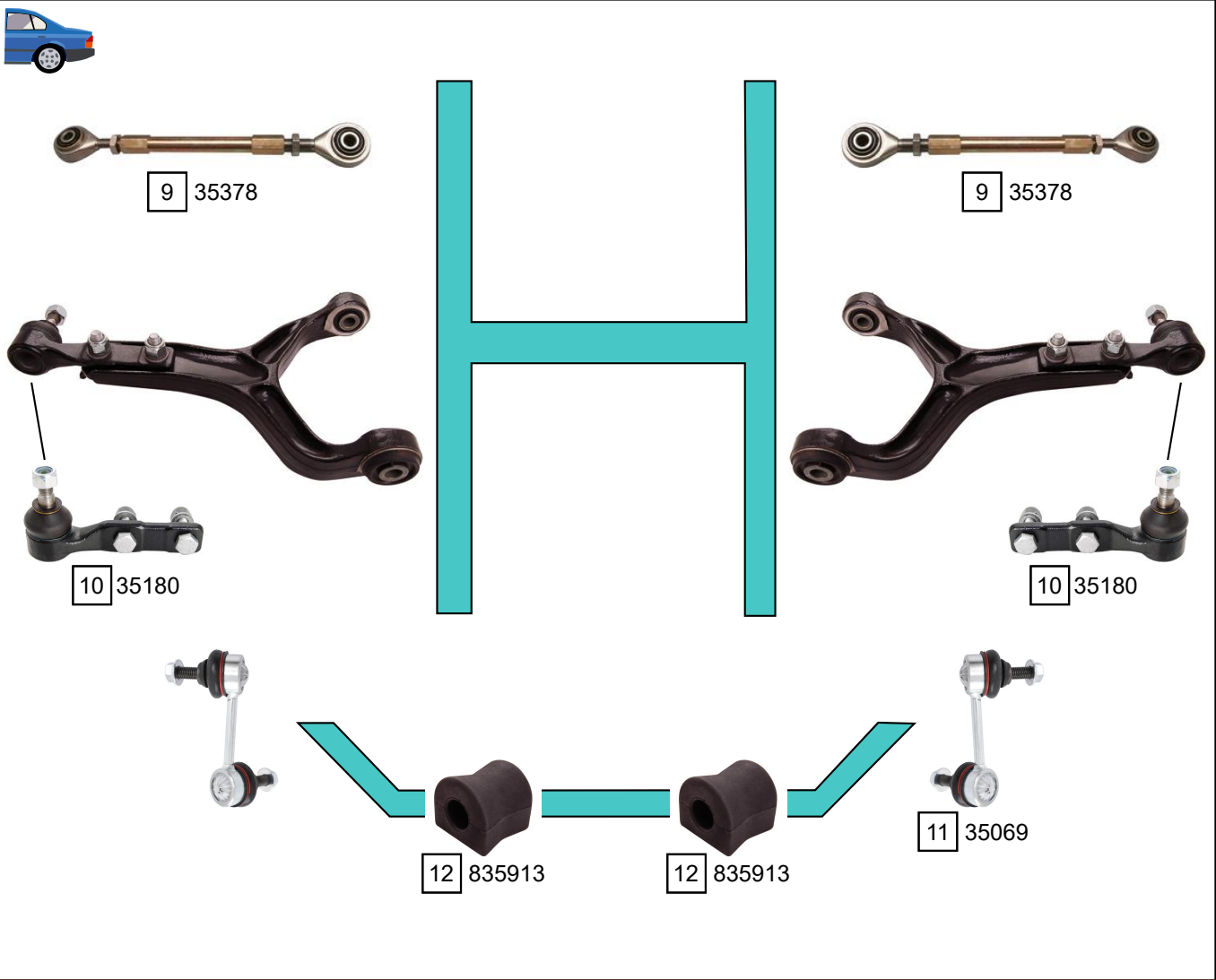
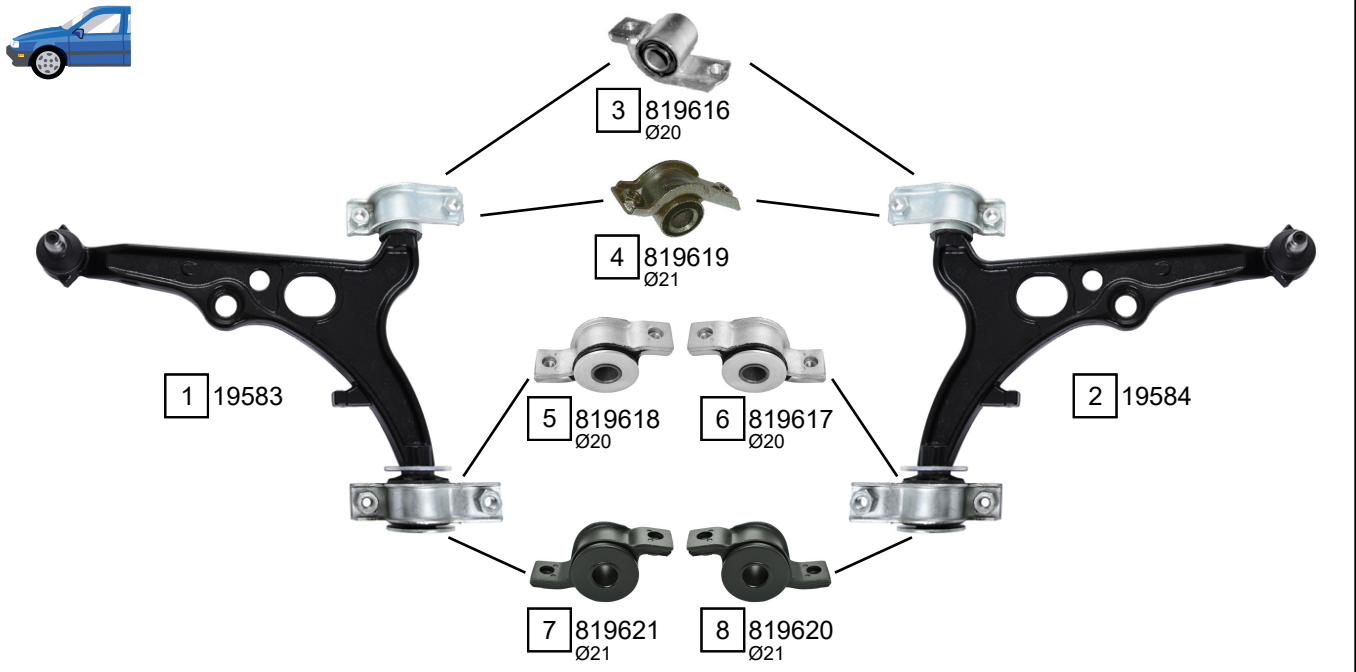
09/1994 - 01/2006



Ref.	Sidem Ref.	Description	OE-number	Measures	Ref.	Sidem Ref.	Description	OE-number	Measures
1	19063	stabiliser link	605 70 627	L:90	7	35133	axial joint	994 44 52	th:MM14X1.5R L:285
2	835804	stabiliser mounting	760 16 42	di:10.3	8	35139	tie rod end	994 77 20	c:12.5 th:FM14x1.5R
3	37588	stabiliser link	606 14 514	L:270	9	19812	axial joint	994 77 18	th:MM14x1.5R L:292
4	335.032	steering rack gater	994 77 21	D:59 d:12 L:195	10	35038	tie rod end left	994 77 65	c:12 th:FM14X1.5R
5	19835	tie rod end left	994 74 37	c:12 th:FM12X1.5R	11	35039	tie rod end right	994 77 64	c:12 th:FM14X1.5R
6	19836	tie rod end right	994 74 38	c:12 th:FM12X1.5R	12	35138	tie rod end	994 77 19	c:12 th:FM14X1.5R

SPIDER (916S_)

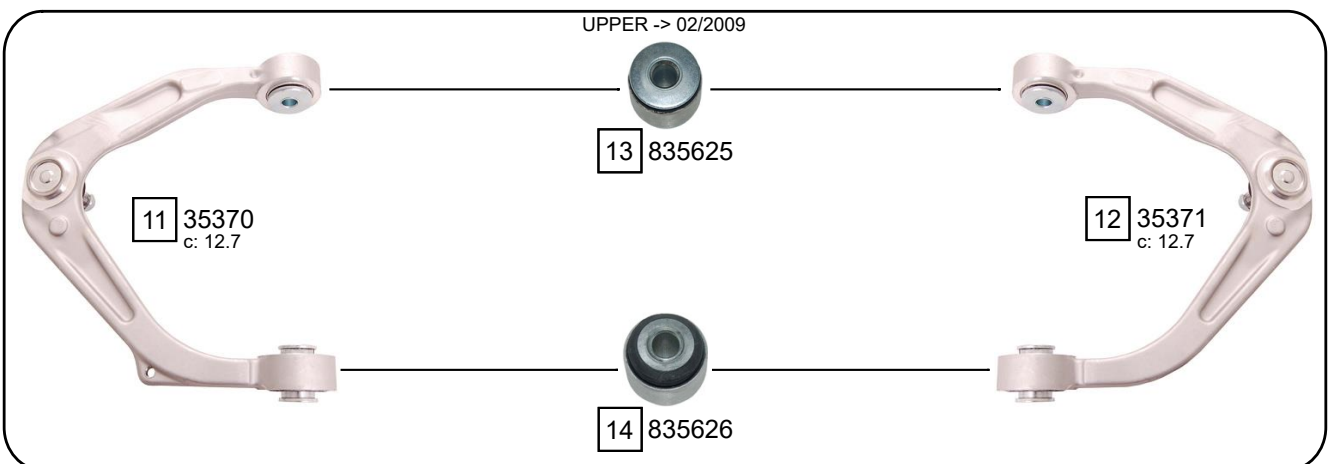
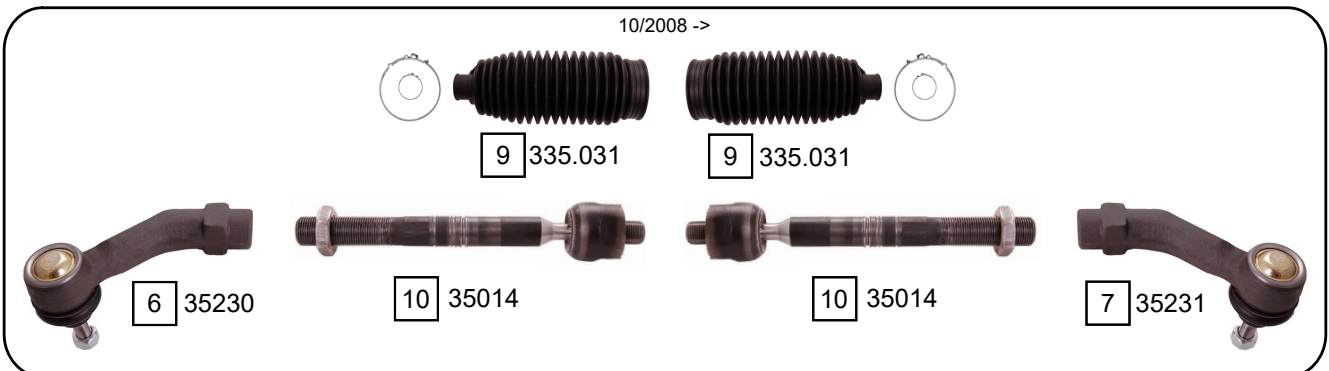
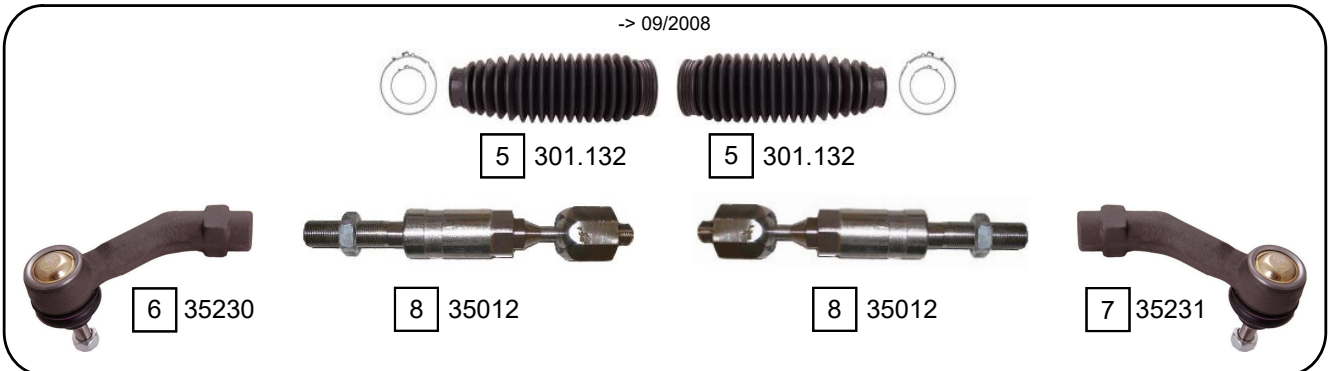
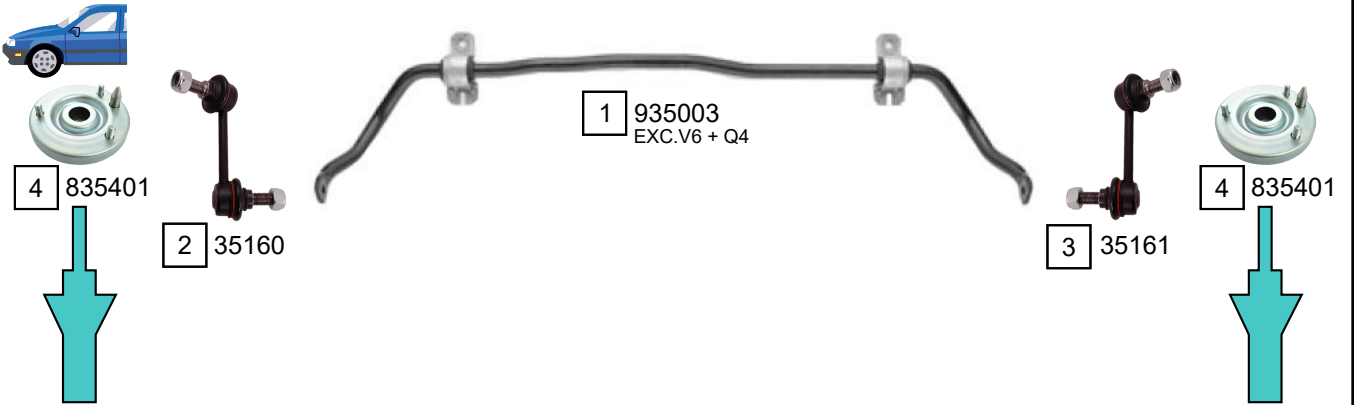
09/1994 - 01/2006



Ref.	Sidem Ref.	Description	OE-number	Measures	Ref.	Sidem Ref.	Description	OE-number	Measures
1	19583	TCA left wbj	464 74 556	c:17	7	819621	silentblock for TCA	Part of	di:20.7 do:20.7 (*)
2	19584	TCA right wbj	464 74 557	c:17	8	819620	silentblock for TCA	Part of	di:20.7 do:20.7 (*)
3	819616	silentblock for TCA	Part of	di:19.7 do:19.7 (*)	9	35378	track rod	606 27 480	
4	819619	silentblock for TCA	Part of	di:20.7 do:20.7 (*)	10	35180	ball joint	Part of	c:13
5	819618	silentblock for TCA	Part of	di:19.7 do:19.7 (*)	11	35069	stabiliser link rear axle	606 12 435	L:90
6	819617	silentblock for TCA	Part of	di:19.7 do:19.7 (*)	12	835913	stabiliser mounting	824 12 746	di:18

SPIDER (939)

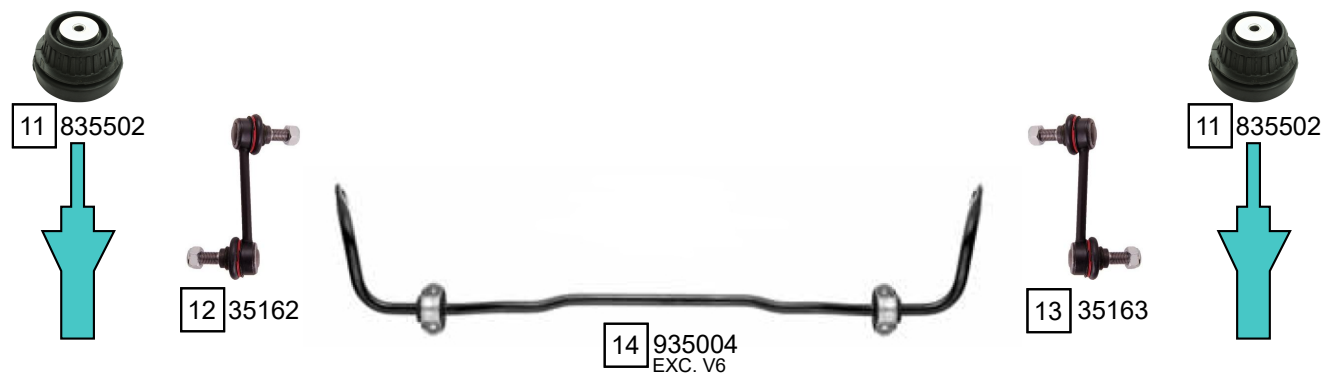
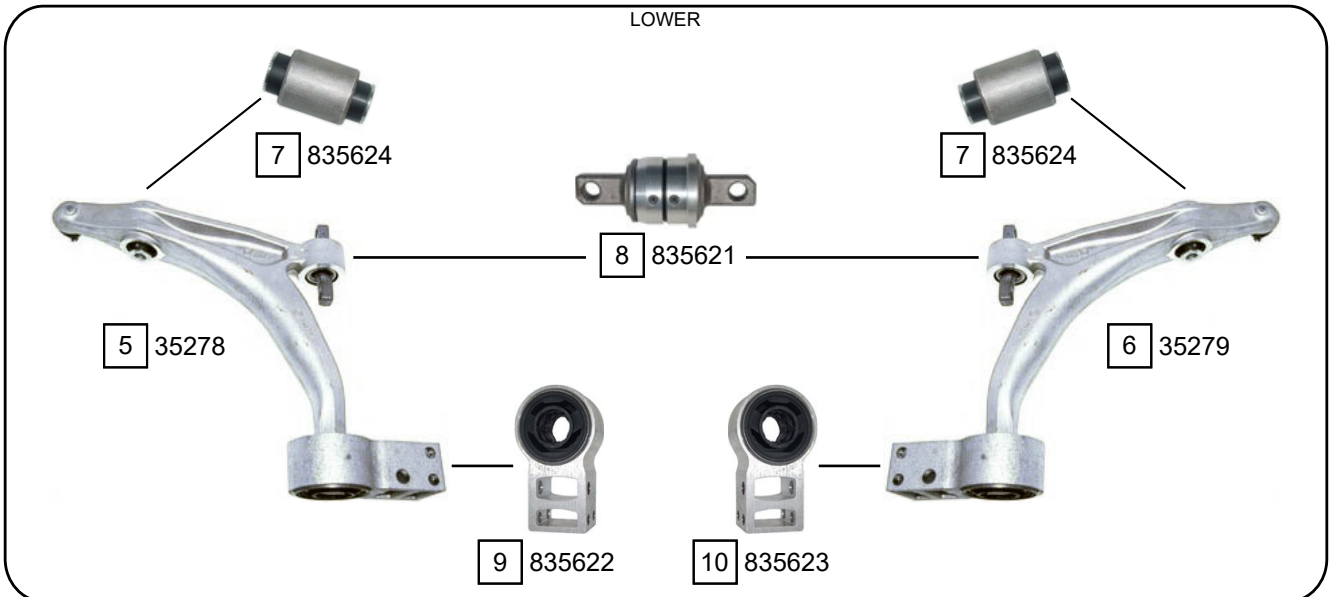
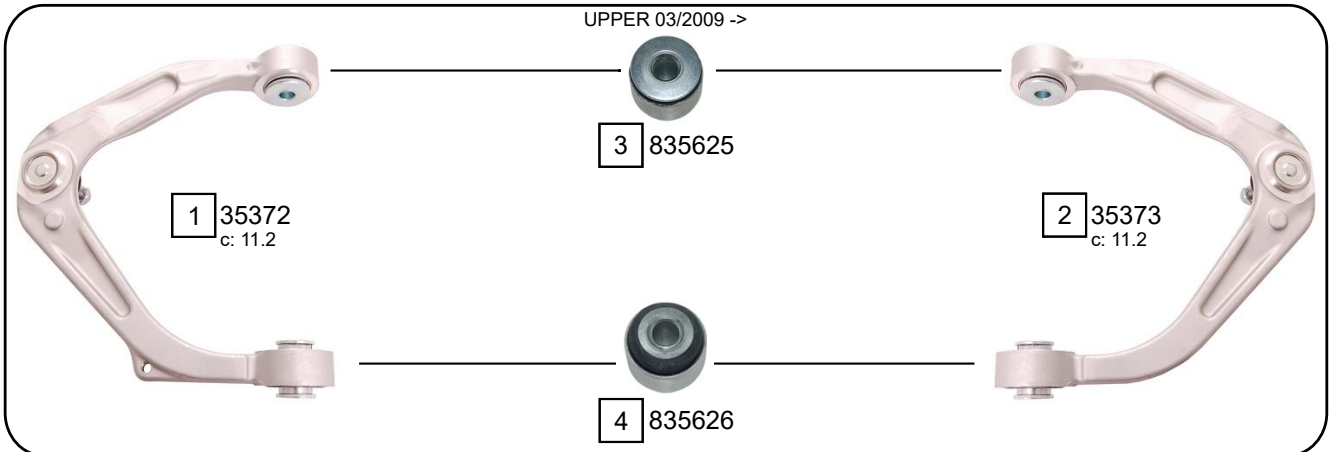
09/2006 - 10/2010



Ref.	Sidem Ref.	Description	OE-number	Measures	Ref.	Sidem Ref.	Description	OE-number	Measures
1	935003	stabilizer bar	505 10 813	do:22 L:1013	8	35012	axial joint	Part of	th:MM16X1.5R L:214
2	35160	stabiliser link left	517 95 454	L:102	9	335.031	steering rack gaiter	773 64 750	D:51 d:19.5 L:175
3	35161	stabiliser link right	517 95 455	L:102	10	35014	axial joint	Part of	th:MM16X1.5R L:214
4	835401	strut mount	505 15 176	di:10.1 do:141.5 L:56.5	11	35370	TCA left wbj	517 87 337	c:12.7
5	301.132	steering rack gaiter	773 63 705	D:51 d:34 L:198	12	35371	TCA right wbj	517 87 336	c:12.7
6	35230	tie rod end left	773 63 706	c:14.6 th:FM20X1.5R	13	835625	silentblock for TCA	Part of	di:13.2 do:41.2 (*)
7	35231	tie rod end right	773 63 707	c:14.6 th:FM20X1.5R	14	835626	silentblock for TCA	Part of	di:13.2 do:43.2 (*)

SPIDER (939)

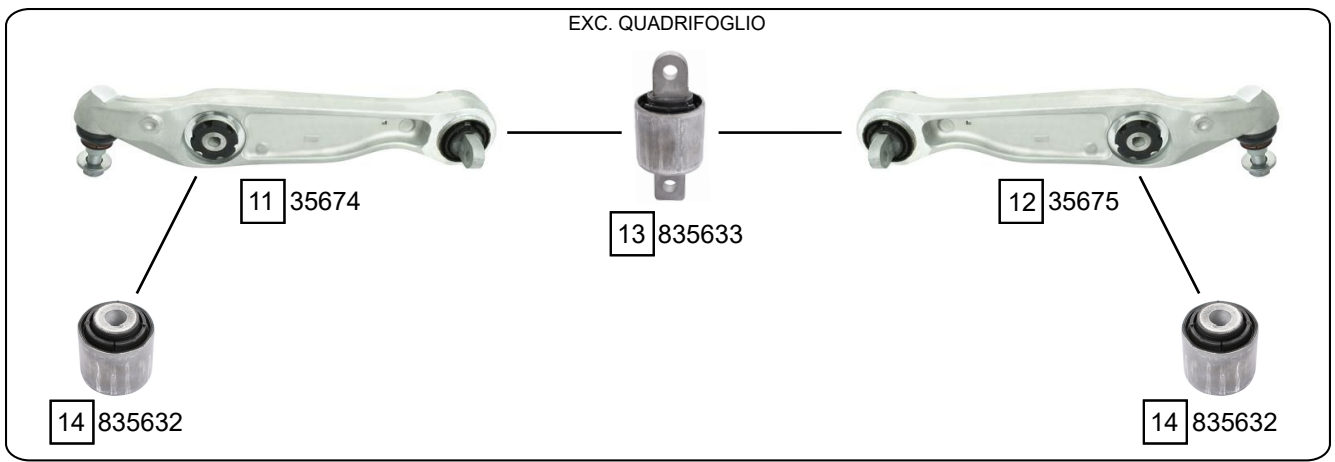
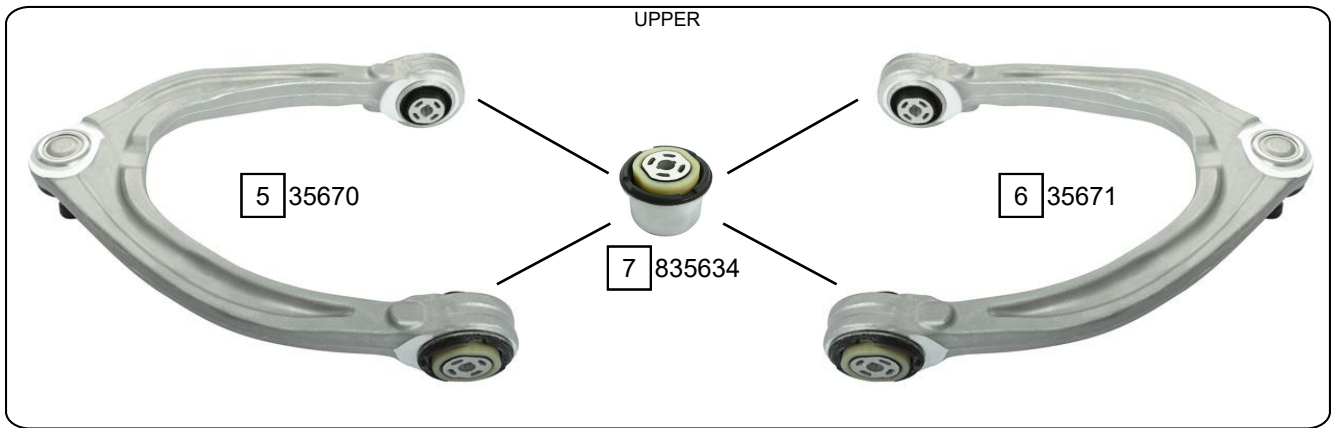
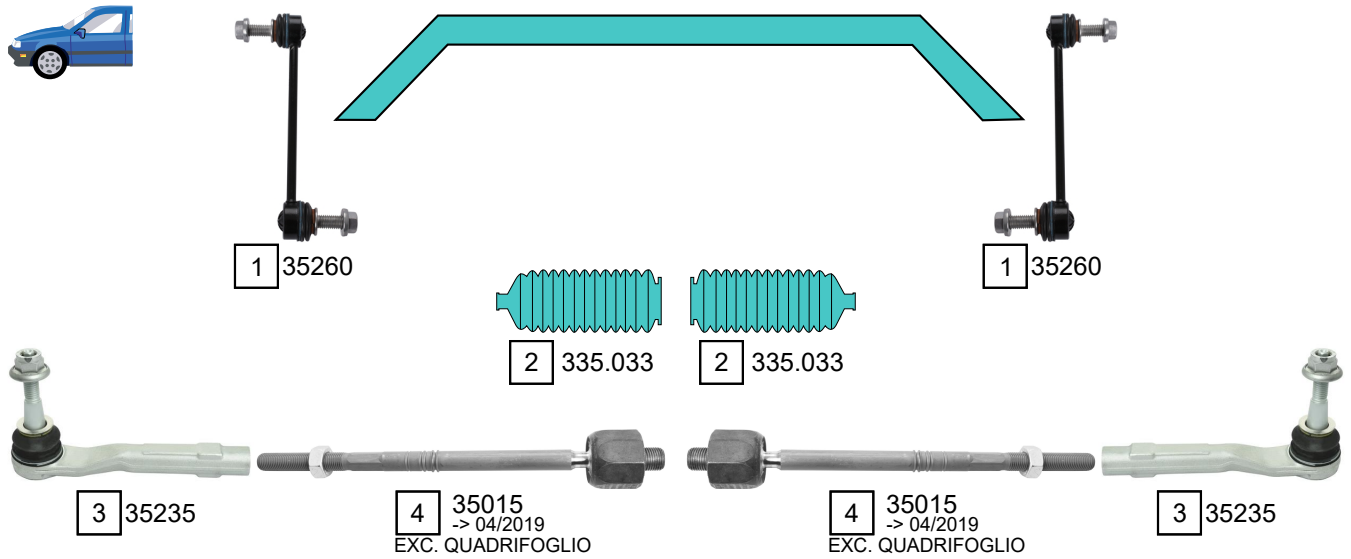
09/2006 - 10/2010



Ref.	Sidem Ref.	Description	OE-number	Measures	Ref.	Sidem Ref.	Description	OE-number	Measures
1	35372	TCA left wbj	518 28 661	c:11.2	8	835621	silentblock for TCA	Part of	do:48 (*)
2	35373	TCA right wbj	518 28 660	c:11.2	9	835622	silentblock for TCA	507 08 721	di:32 (*)
3	835625	silentblock for TCA	Part of	di:13.2 do:41.2 (*)	10	835623	silentblock for TCA	507 08 722	di:32 (*)
4	835626	silentblock for TCA	Part of	di:13.2 do:43.2 (*)	11	835502	strut mount	505 15 203	di:10.3 L:63
5	35278	TCA left wbj	517 95 447	c:19.7	12	35162	stabiliser link left	517 95 705	L:116
6	35279	TCA right wbj	517 95 446	c:19.7	13	35163	stabiliser link right	517 95 704	L:116
7	835624	silentblock for TCA	Part of	di:14.2 do:42.1 (*)	14	935004	stabilizer bar	517 95 519	do:21

STELVIO (949_)

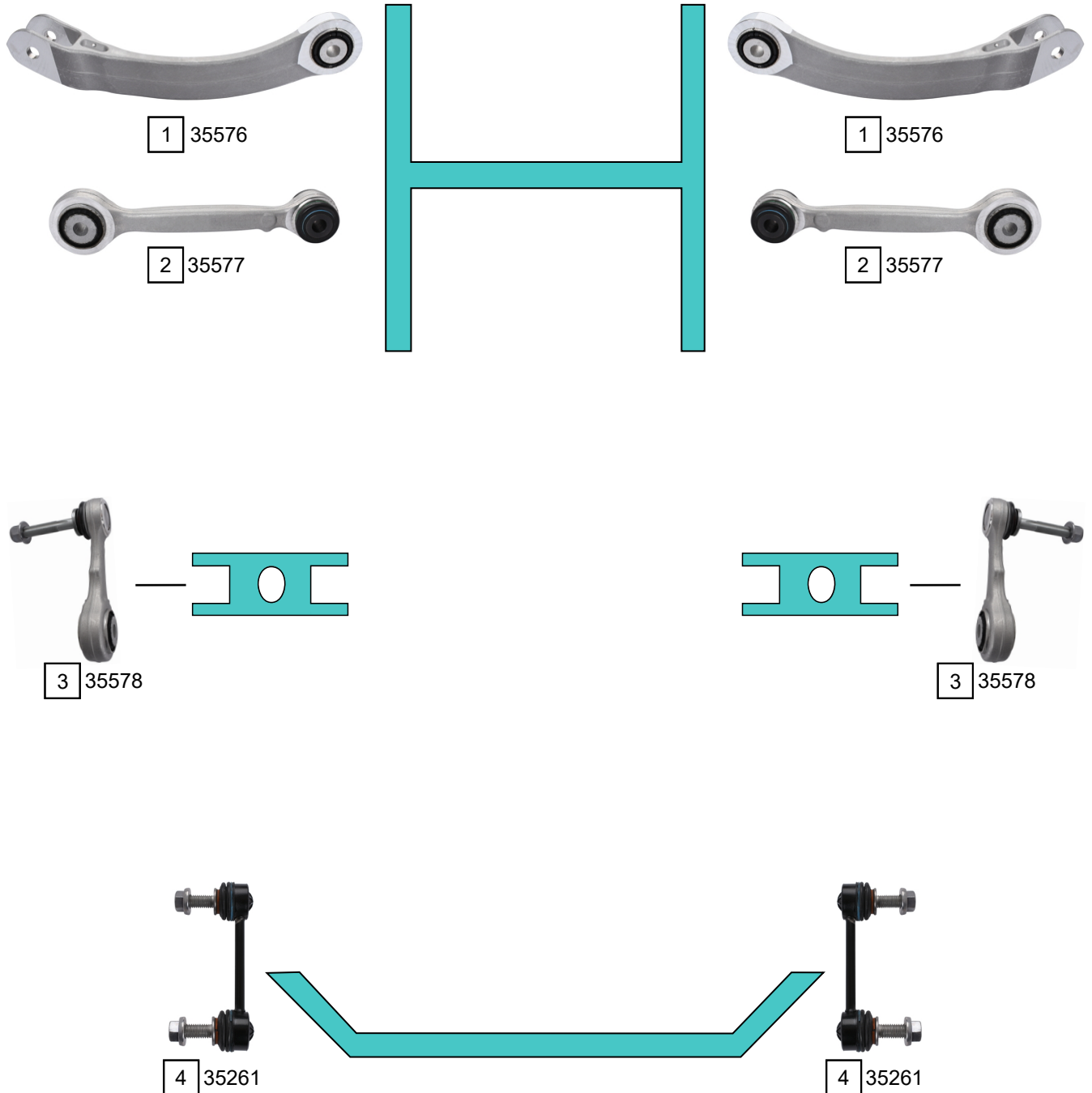
12/2016 ->



Ref.	Sidem Ref.	Description	OE-number	Measures	Ref.	Sidem Ref.	Description	OE-number	Measures
1	35260	stabiliser link	505 43 482	L:183	8	35672	TCA left wbj	505 47 029	c:18.6
2	335.033	steering rack gaiter	773 67 924	D:63 d:13.5 L:216	9	35673	TCA right wbj	505 47 028	c:18.6
3	35235	tie rod end	773 68 151	c:13.4 th:FM14X1.5R	10	835631	silentblock for TCA	Part of	di:12.1 do:69.8 (*)
4	35015	axial joint	Part of	th:MM16X1.5R L:277	11	35674	TCA left wbj	505 52 330	c:18.6
5	35670	TCA left wbj	505 39 881	c:18	12	35675	TCA right wbj	505 52 328	c:18.6
6	35671	TCA right wbj	505 39 880	c:18	13	835633	silentblock for TCA	Part of	do:50.6 (*)
7	835634	silentblock for TCA	Part of	di:10.1 do:48 (*)	14	835632	silentblock for TCA	Part of	di:12.1 do:42.9 (*)

STELVIO (949_)

12/2016 ->



Ref.	Sidem Ref.	Description	OE-number	Measures	Ref.	Sidem Ref.	Description	OE-number	Measures
1	35576	track rod	505 43 275	L:280	3	35578	track rod	505 40 592	L:110
2	35577	track rod	505 40 594	L:195	4	35261	stabiliser link	505 43 807	L:110